

Barudan

HIGH SPEED AUTOMATIC EMBROIDERY MACHINE

MODEL **BEMRME-YN**
BEMSME-YN
BEMXME-YN

PARTS LIST

BARUDAN CO., LTD.

ADDRESS 906 JOSUJI
ICHINOMIYA-CITY· AICHI-PREF·
JAPAN

TEL. <0586>76-1137

FAX. <0586>77-1499

TELEX 4573268 BARUNA J

CABLE BARUNA ICHINOMIYA



B E M R M E - Y N • B E M S M E - Y N

B E M X M E - Y N

HIGH SPEED AUTOMATIC EMBROIDERY

MACHINE PARTS LIST

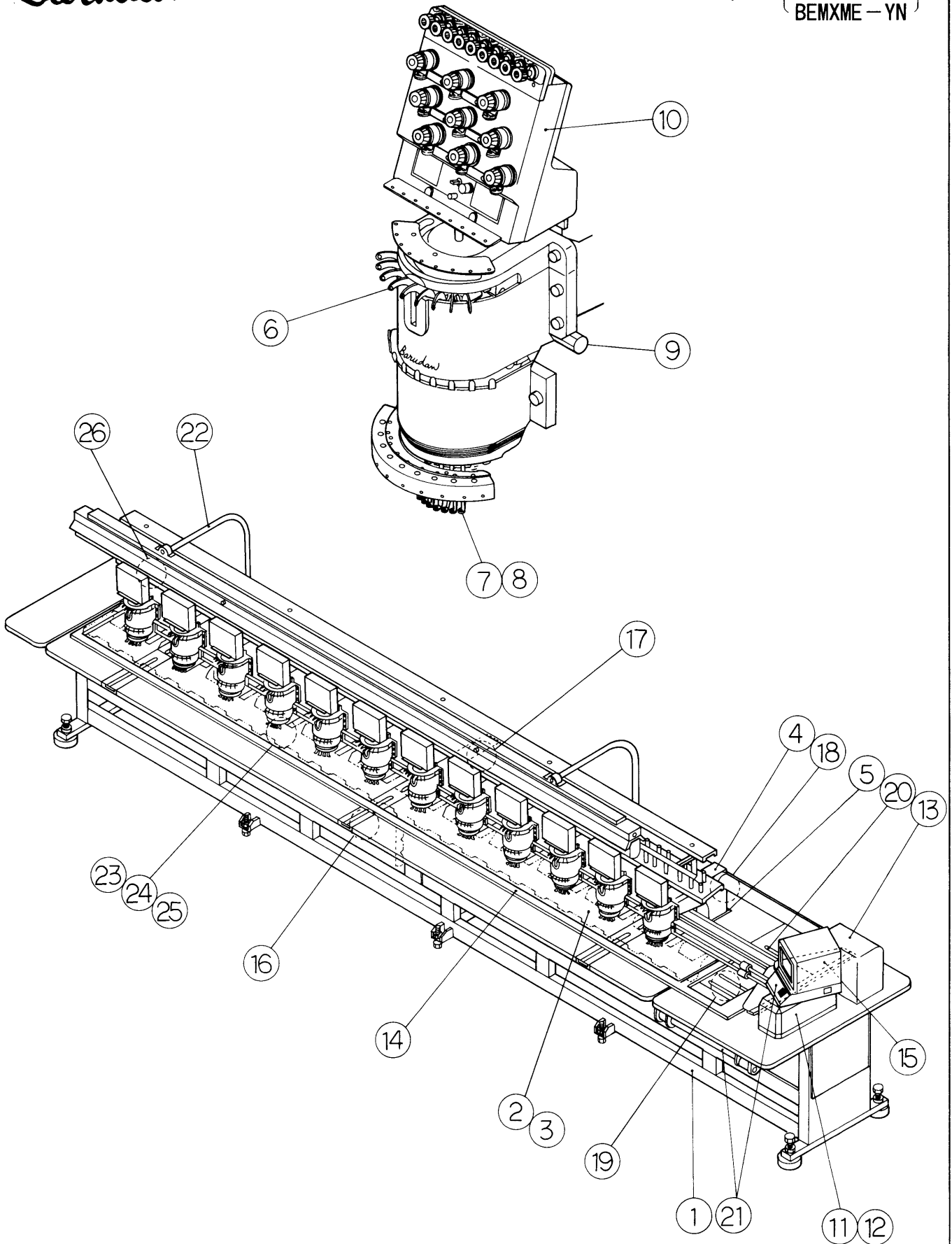
CONTENTS

ITEM No.	Page No.
Machine layout (BEMRME-YN BEMSME-YN BEMXME-YN)	1
① Table • Frame	2
② Table lifter mechanism I	4
③ Table lifter mechanism II	6
④ Sewing head a'ssy	8
⑤ Bed a'ssy	10
⑥ Take up lever mechanism	12
⑦ Needle bar mechanism I	14
⑧ Needle bar mechanism II	16
⑨ Jump mechanism	18
⑩ Thread guide mechanism	20
⑪ Color change mechanism I	22
⑫ Color change mechanism II	24
⑬ Drive mechanism	26
⑭ Pantograph drive mechanism I (Pantograph, Cover)	28
⑮ Pantograph drive mechanism II (T-Pantograph relation)	30
⑯ Pantograph drive mechanism III (H-Direction, Front)	32
⑰ Pantograph drive mechanism IV (H-Direction, Rear I)	34
⑱ Pantograph drive mechanism V (H-Direction, Rear II)	36
⑲ Pantograph drive mechanism VI (V-Direction, Front)	38
⑳ Pantograph drive mechanism VII (V-Direction, Rear)	40
㉑ Control system <BEMRME-YN>	42
㉑ Control system <BEMSME-YN>	44
㉑ Control system <BEMXME-YN>	46
㉒ Option	48
㉓ Automatic thread cutting mechanism I (Thread cutting section)	50
㉔ Automatic thread cutting mechanism II (Thread away section)	52
㉕ Automatic thread cutting mechanism III (Thread support section)	54
㉖ Automatic thread cutting mechanism IV (Drive mechanism)	56
㉗ Thread guide mechanism (Lower thread sensorium)	58
INDEX	60

Barudan

Machine layout

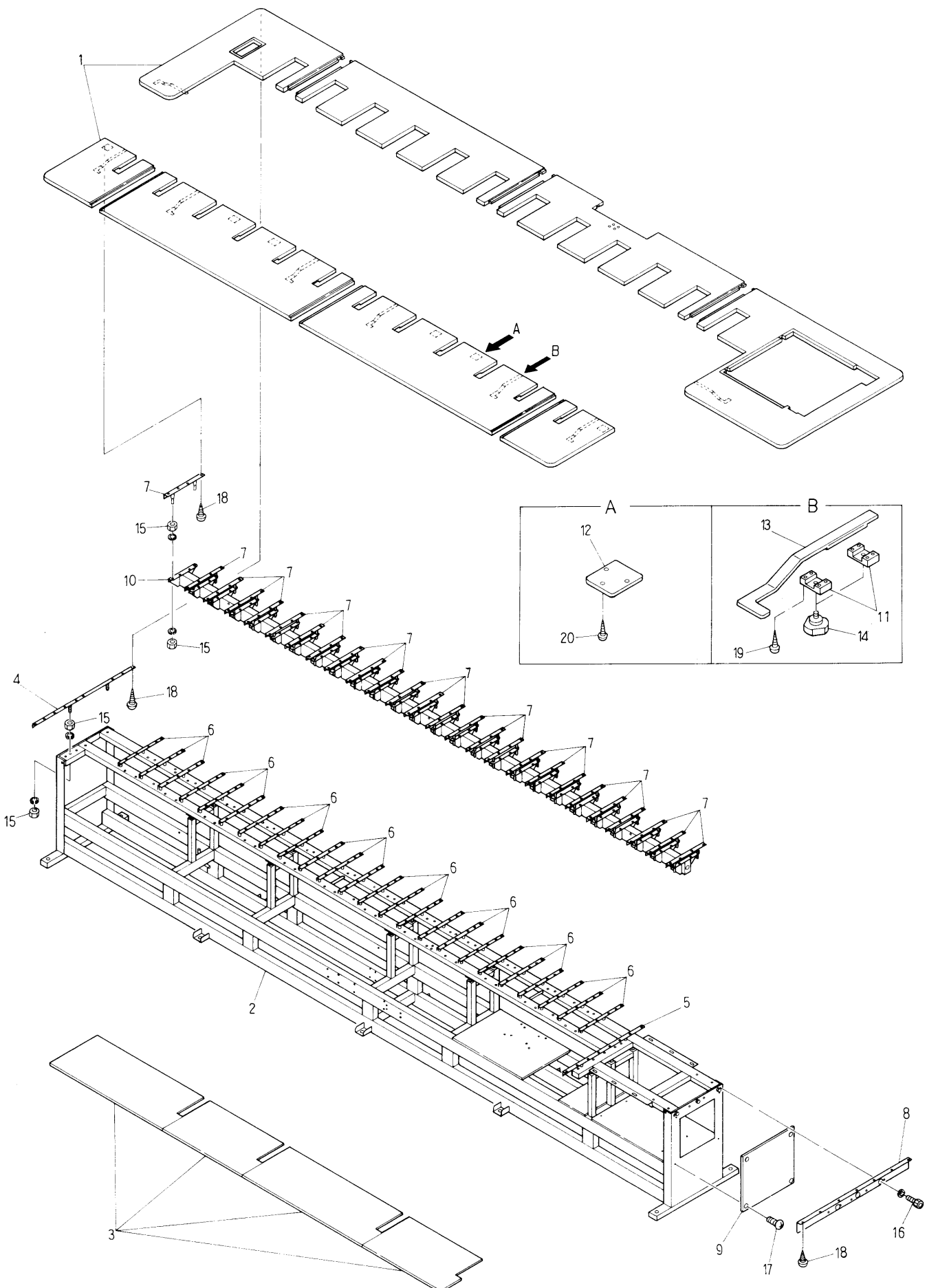
BEMRME-YN
BEMSME-YN
BEMXME-YN



BEMRME-YN
BEMSME-YN
BEMXME-YN

BEMRME-YN
BEMSME-YN
BEMXME-YN

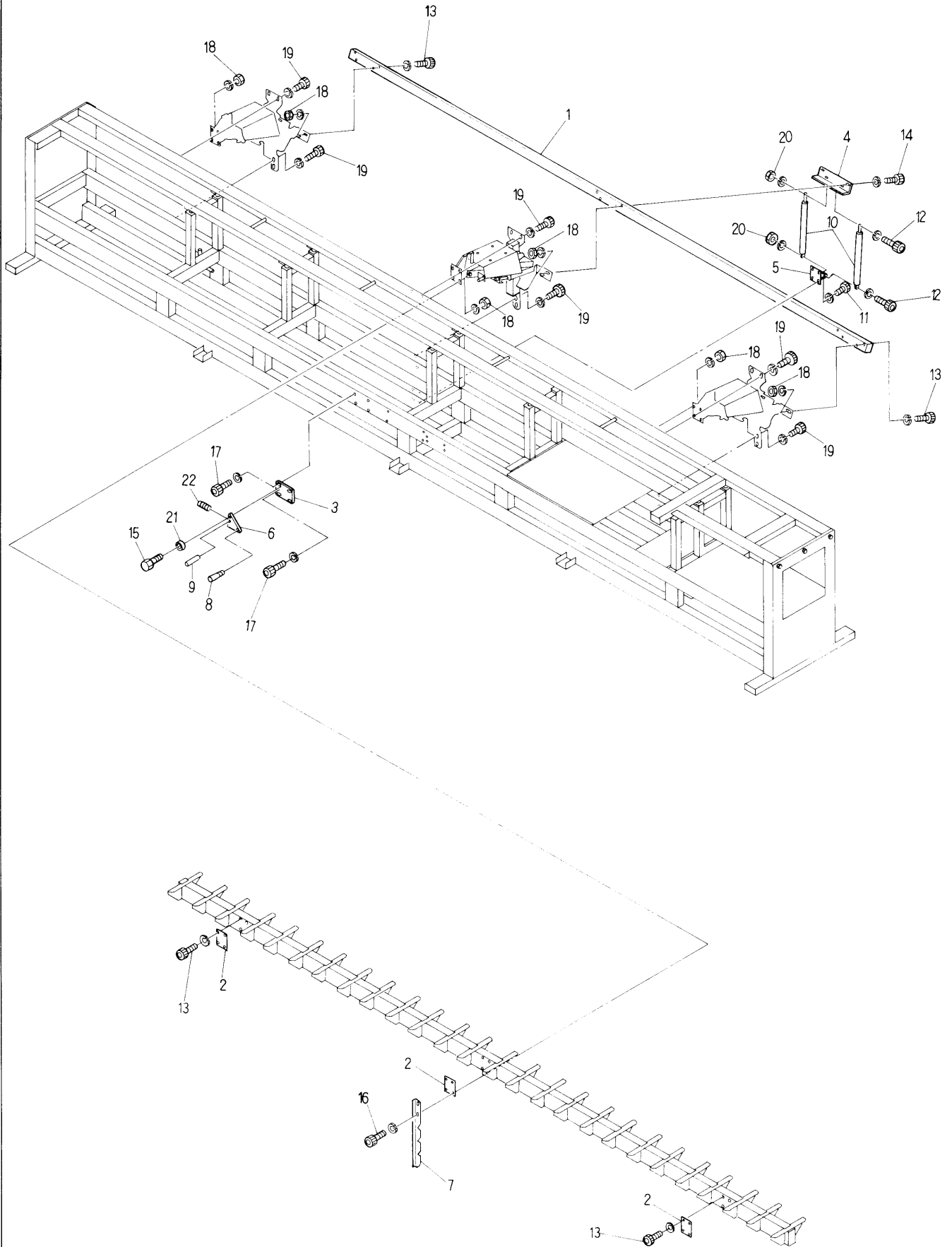
MODEL



MODEL
BEMRME-YN
BEMSME-YN
BEMXME-YN

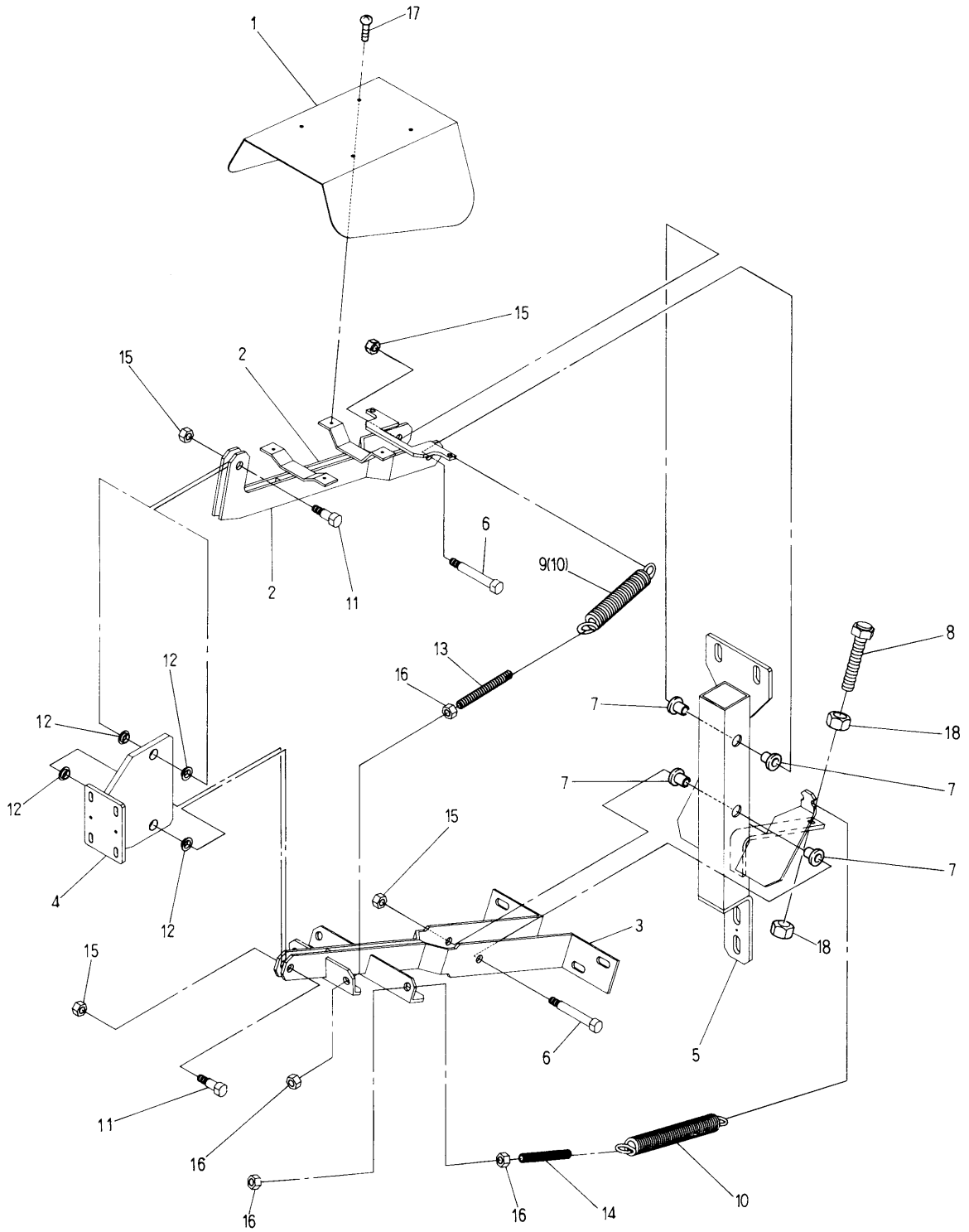
① Table ・ Frame

ITEM	LIST No.	DESCRIPTION	Q'TY	REMARK
1	1BKK123804800	Table (BEMSME-YS-12 320×380/480)	1	
2	1AKK123804801	Frame (BEMSME-YS-12 320×380/480)	1	
3	1KKK123804800	Shelf (BEMSME-YS-12 320×380/480)	1	
4	KR140010	Table support (L=955)	1	
5	KK140270	Table support (L=770)	1	
6	KR140040	Table support (L=420)	24	
7	KK140170	Table support (L=350)	26	
8	KK140000	Aluminium table support	1	
9	KC110910	Frame side cover R	1	
10	KK140101	Table guide (Front) (BEMSME-YS-12 320 ×380/480)	1	
11	KK140020	Table stopper bracket	16	
12	KK140061	Table stopper	6	
13	KK140160	Table stopper lever	8	
14	A9012259	Knob bolt KT-B, L=10 (M8)	16	
15		Hex, nut M10		
16		Hex, socket bolt M6×20		
17		Truss screw M6×8		
18		Pias biss 5×23		
19		Bind tapping screw 4.5×24		
20		Wood screw 3.8×20		

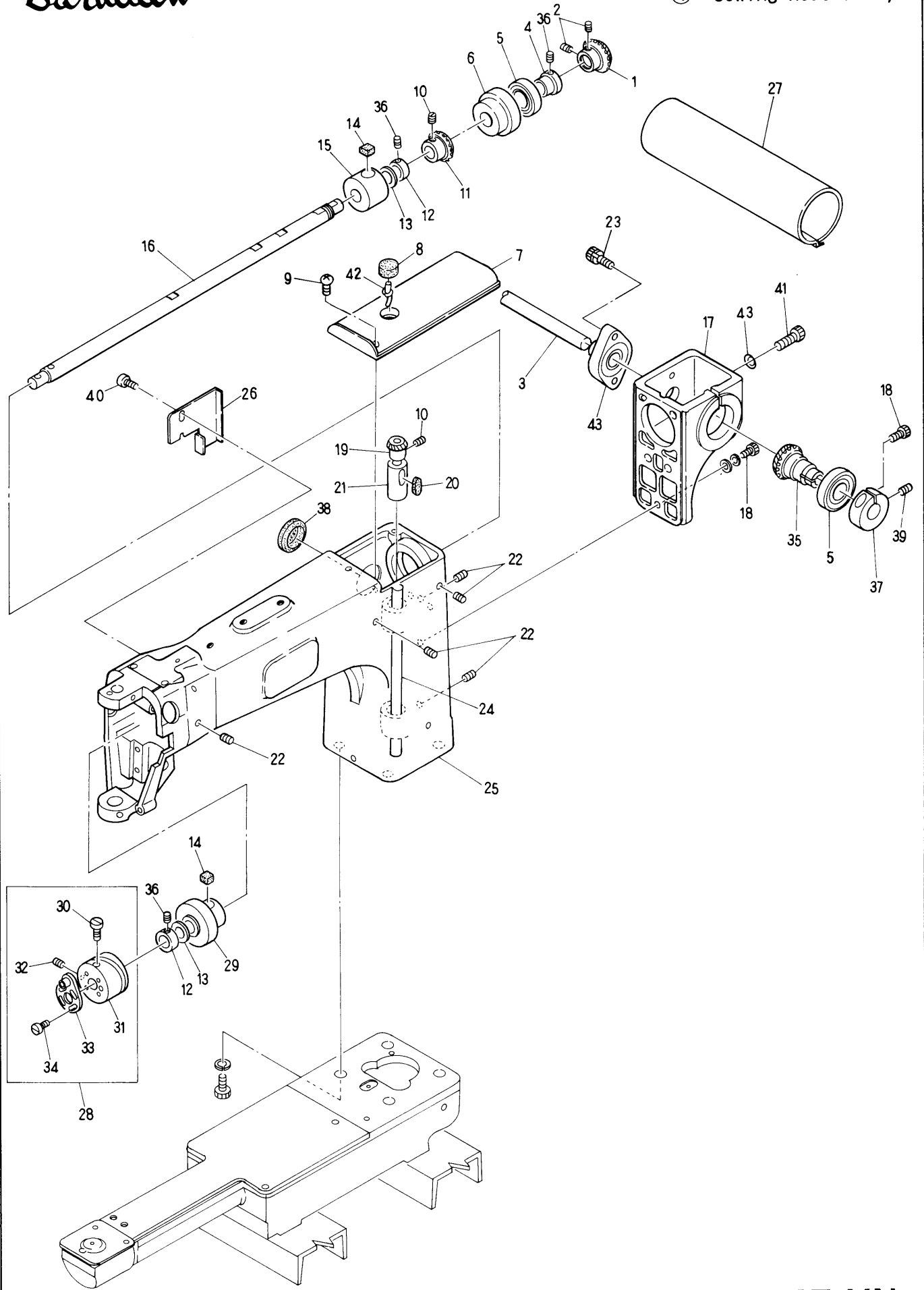


MODEL

BEMRME-YN
BEMSME-YN
BEMXME-YN



MODEL **BEMRME-YN**
BEMSME-YN
BEMXME-YN



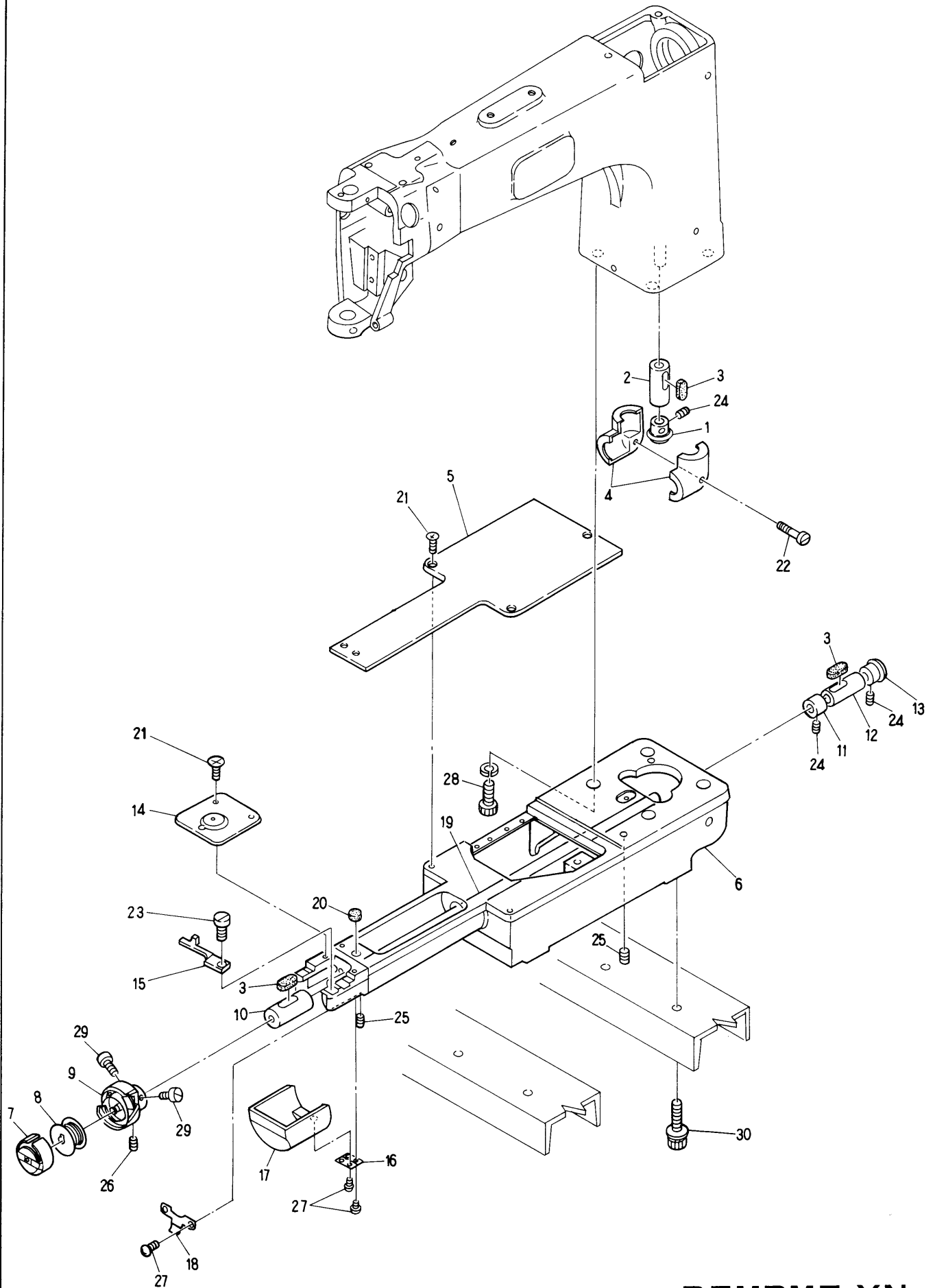
MODEL

BEMRME-YN
BEMSME-YN
BEMXME-YN

④ Sewing head a' ssy

(H=Head Q' TY)

ITEM	LIST No	DESCRIPTION	Q' TY	REMARK
1	KL 2 2 0 1 0 0	Top Shaft (Spiral bevel M1.5-25R)	H×1	
2		Hex, socket set screw M6×6 (With adhesion)	H×2	
3		Top shaft connecting shaft φ15		
4	KL 2 2 0 0 9 0	Top shaft bearing collar (Rear)	H×1	
5	A 9 0 1 0 0 1 7	Bearing (6004ZZ)	H×2	
6	KL 2 2 0 0 4 0	Top shaft bearing case (Rear)	H×1	
7	KL 2 5 0 0 4 0	Arm top cover	H×1	
8	KL 2 2 0 1 5 0	Oil felt D	H×1	
9		Truss screw M4×10		
10		Screw (SM1/4 40×4)		
11	KF 2 2 0 1 3 0	Bevel gear (Top shaft)	H×1	
12	KL 2 2 0 0 8 0	Top shaft collar	H×2	
13	HP 2 3 1 3 9 0	Thrust washer (Top shaft gear)	H×2	
14	KL 2 2 0 1 3 0	Oil felt B	H×2	
15	KL 2 2 0 0 3 0	Top felt metal (Middle)	H×1	
16	KL 2 2 0 0 0 0	Top shaft	H×1	
17	KL 2 1 0 1 4 0	Arm gear case	H×1	
18		Hex, socket bolt M6×25		
19	KF 2 2 0 4 6 0	Bevel gear (Vertical shaft upper)	H×1	
20	KL 2 2 0 1 4 0	Oil felt C	H×1	
21	KL 2 2 0 0 5 0	Vertical metal (Upper)	H×1	
22		Hex, socket screw M6×8		
23		Hex, socket bolt M6×35 (With spring washer)		
24	KL 2 2 0 0 1 0	Vertical shaft	H×1	
25	KB 2 1 0 1 6 0	Arm	H×1	
26	KL 2 5 0 0 5 1	Arm side cable cover	H×1	
27	1PKD12380480BA	Connecting shaft cover set MSE-12 380/480	1 SET	
28	KB 2 3 0 0 1 0	Take up lever cam K 690° with crank	H×1	
29	KL 2 2 0 0 2 0	Top shaft metal (Front)	H×1	
30	KF 2 3 0 4 2 0	Take up lever cam set screw	H×1	
31	KB 2 3 0 0 3 0	Take up lever cam K6	H×1	
32		Screw (SM15/64 28×10) (With adhesion)	H×1	
33	KB 2 3 0 0 5 0	90° Crank	H×1	
34	A 9 0 1 2 0 0 7	Screw (SM11/64 40×10)	H×1	
35	KL 3 2 0 0 0 0	Connecting gear (Spiral bevel M1.5-25L)	H×1	
36		Hex, socket set screw M6×6		
37	KL 3 2 0 0 2 0	Connecting gear clamp φ19	H×1	
38	A 9 0 1 4 0 6 3	Grommet C-30-SG-36A	H×1	
39		Hex, socket set screw M6×10		
40		Truss screw M4×8		
41		Hex, socket bolt M6×60		
42	KC 2 5 1 3 3 0	Oil core L=75	H×1	
43		Disc spring M6		

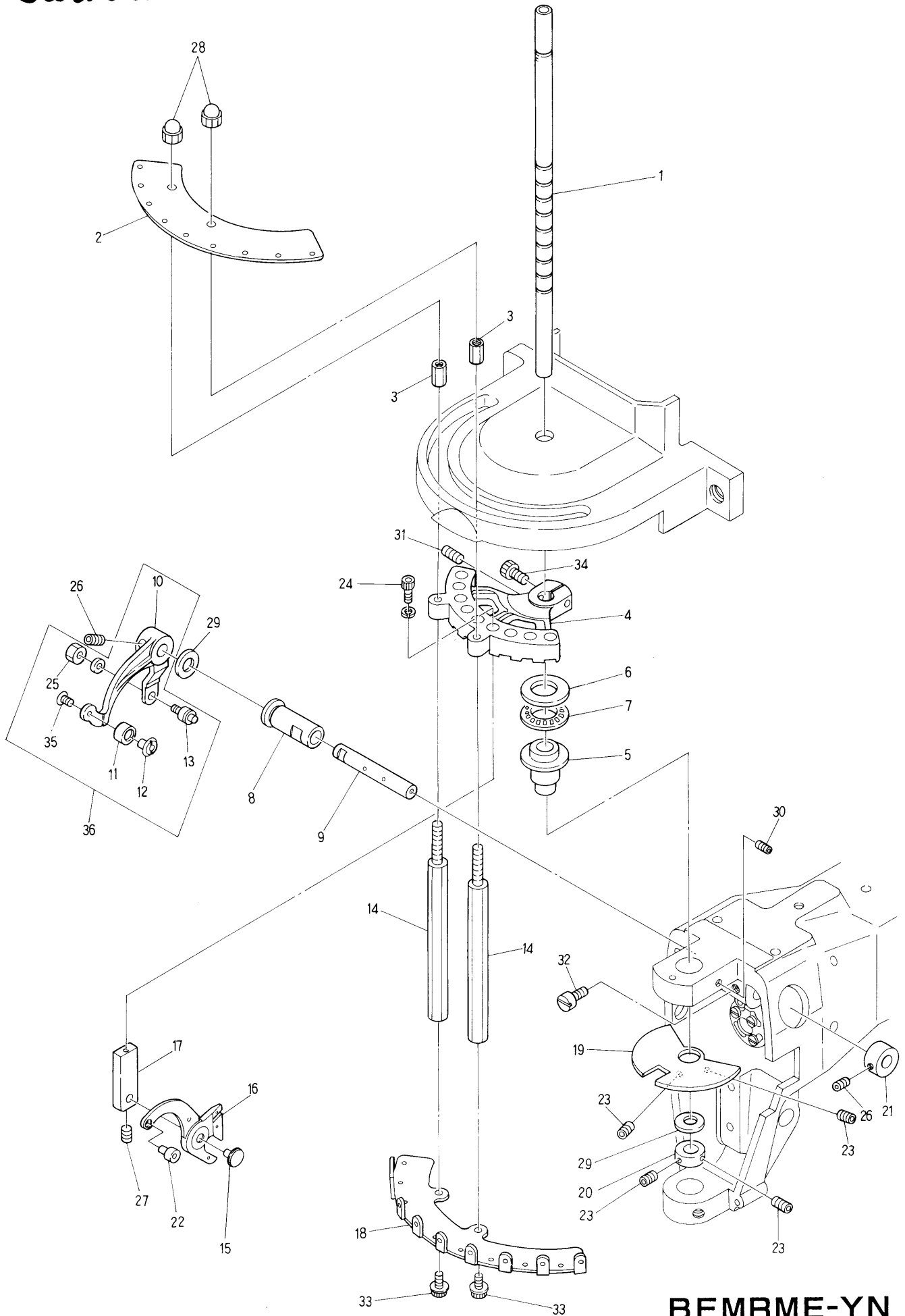


MODEL
BEMRME-YN
BEMSME-YN
BEMXME-YN

⑤ Bed a' ssy

(H=Head Q' TY)

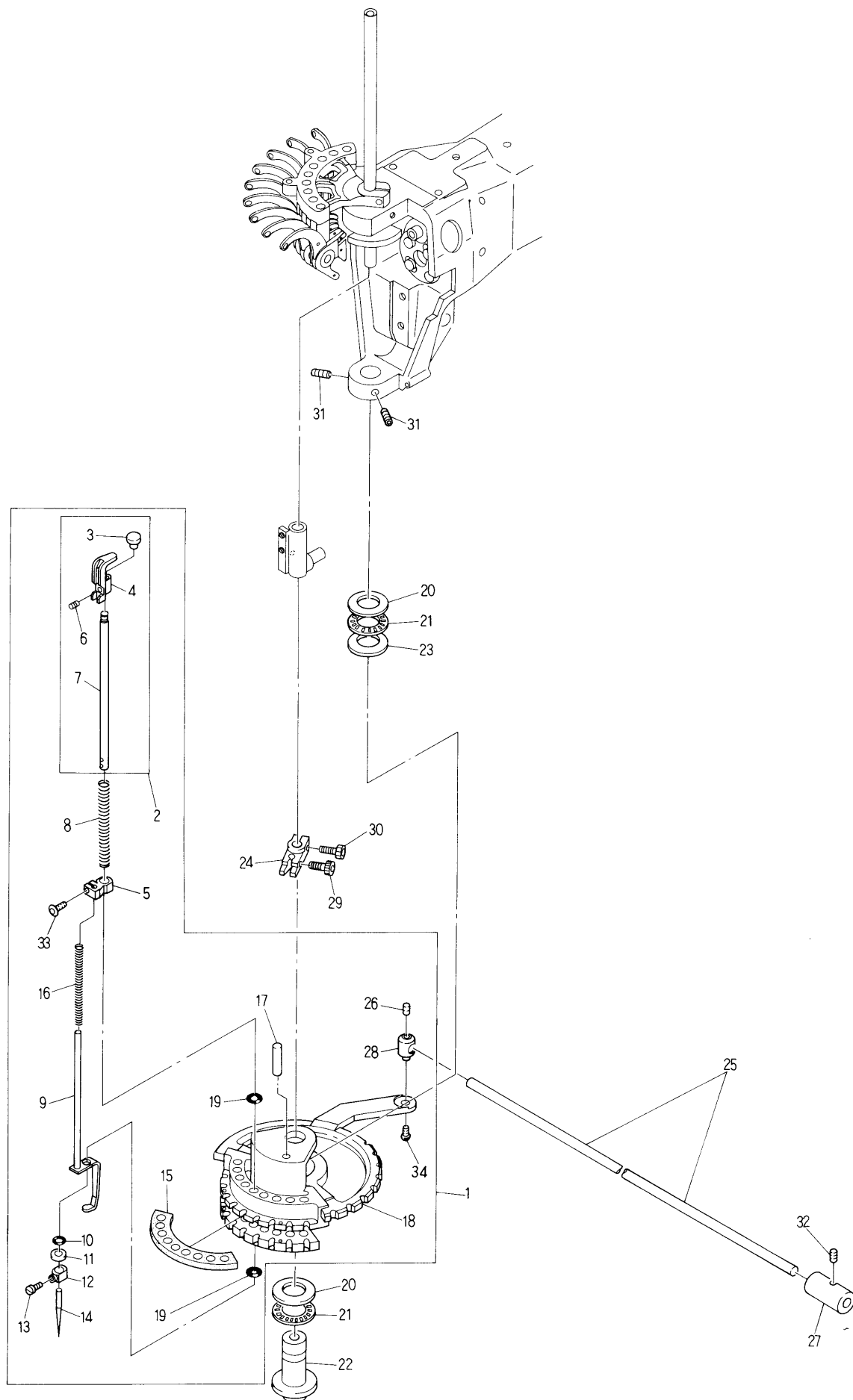
ITEM	LIST No	DESCRIPTION	Q' TY	REMARK
1	KF 2 2 0 4 7 0	Bevel gear (Vertical shaft lower)	H × 1	
2	KL 2 2 0 0 6 0	Vertical shaft metal (Lower)	H × 1	
3	KL 2 2 0 1 4 0	Oil felt C	H × 3	
4	KF 2 2 0 2 7 1	Gear cover set	H × 1	
5	KL 2 5 0 0 7 1	Cylinder bed cover	H × 1	
6	KL 2 1 0 1 1 3	Bed (SRE-T)	H × 1	
7	KF 2 2 0 4 4 0	Bobbing case (SC-35-NS)	H × 1	
8	KF 2 2 0 4 1 0	Bobbin	H × 1	
9	KF 2 2 0 7 5 0	Rotating hook complete	H × 1	
10	KF 2 2 0 2 3 0	Bottom shaft metal (Front)	H × 1	
11	KF 2 2 0 2 9 0	Bottom shaft collar	H × 1	
12	KL 2 2 0 0 7 0	Bottom shaft metal (Rear)	H × 1	
13	KF 2 2 0 4 8 0	Bevel gear (Bottom shaft)	H × 1	
14	MA 2 5 0 1 3 1	Needle plate	H × 1	
15	KC 2 2 0 6 5 0	Rotating hook bobbin case holder	H × 1	
16	A 9 0 1 2 0 2 7	Butterfly nut (TH-TM-72)	H × 1	
17	KC 2 5 0 4 7 1	Barrel bed cover	H × 1	
18	KC 2 5 0 4 8 2	Barrel bed cover push spring	H × 1	
19	KC 2 2 0 2 1 0	Bottom shaft	H × 1	
20	KL 2 2 0 1 2 0	Oil felt A	H × 1	
21	KF 2 5 0 9 0 0	Needle plate set screw (SM11/64 山40×7)	H × 6	
22		Screw M5 × 25	H × 1	
23	A 9 0 1 2 0 0 7	Screw (SM11/64 40×10)	H × 1	
24		Screw (SM 1/4 40×4)		
25		Hex, socket set screw M6 × 8		
26		Screw (SM11/65 40×4)		
27		Pan screw M3 × 6		
28		Hex, socket bolt M12 × 35		
29		Screw (SM11/65 40×5)		
30		Hex, socket bolt M8 × 22(With plain washer, Spring washer)		



⑥ Take up lever mechanism

(H=Head Q' TY)

ITEM	LIST No	DESCRIPTION	Q'TY	REMARK
1	KB230161	Driving shaft	H×1	
2	HT240000	Thread guide plate	H×1	
3	KB240021	Thread guide fixing collar	H×2	
4	HB230291	Take up lever fixing bracket	H×1	
5	KB230090	Driving shaft upper metal	H×1	
6	A9011152	Thrust needle bearing innerring (WS1528)	H×1	
7	A9011021	Thrust bearing NTB-1528	H×1	
8	KB230100	Take up lever driving shaft metal	H×1	
9	KB230110	Take up lever driving shaft	H×1	
10	KT230030	Take up lever driving lever	H×1	
11	HT230090	Take up lever driving roller	H×1	
12	HT230100	Take up lever driving roller shaft	H×1	
13	KF230500	Take up lever roller a'ssy	H×1	
14	KB240010	Thread guide fixing rod	H×2	
15	HT230080	Take up lever shaft	H×9	
16	KT230040	Take up lever a'ssy (Multi)	H×9	
17	KT230010	Take up lever base	H×9	
18	HT240010	Thread hanger	H×1	
19	KT230000	Take up lever sttoker	H×1	
20	HB230160	Driving shaft set collar	H×1	
21	HB230270	Needle bar driving lever fixing pin set collar	H×1	
22	HB230750	Take up lever thread eyelet ceramic	H×9	
23		Hex, socket set screw M4×4 (With adhesion)	H×2	
24		Hex, socket bolt M3×14		
25		Hex, nut SM7/32		
26		Hex, socket set screw M5×6 (With adhesion)	H×2	
27		Hex, socket set screw M3×4 (With adhesion)	H×9	
28		Cap nut M4		
29	A9012164	Thrust washer (R-TW0815)	H×2	
30		Hex, socket set screw M6×6		
31		Hex, socket set screw M4×5 (C,P)		
32		Screw (SM11/64×11)		
33		Hex, socket bolt M4×8 (With plain washer)		
34		Hex, socket bolt M4×15		
35	HB230650	Flush screw (With adhesion)	H×1	
36	KT230050	Take up lever drive lever a'ssy	H×1	

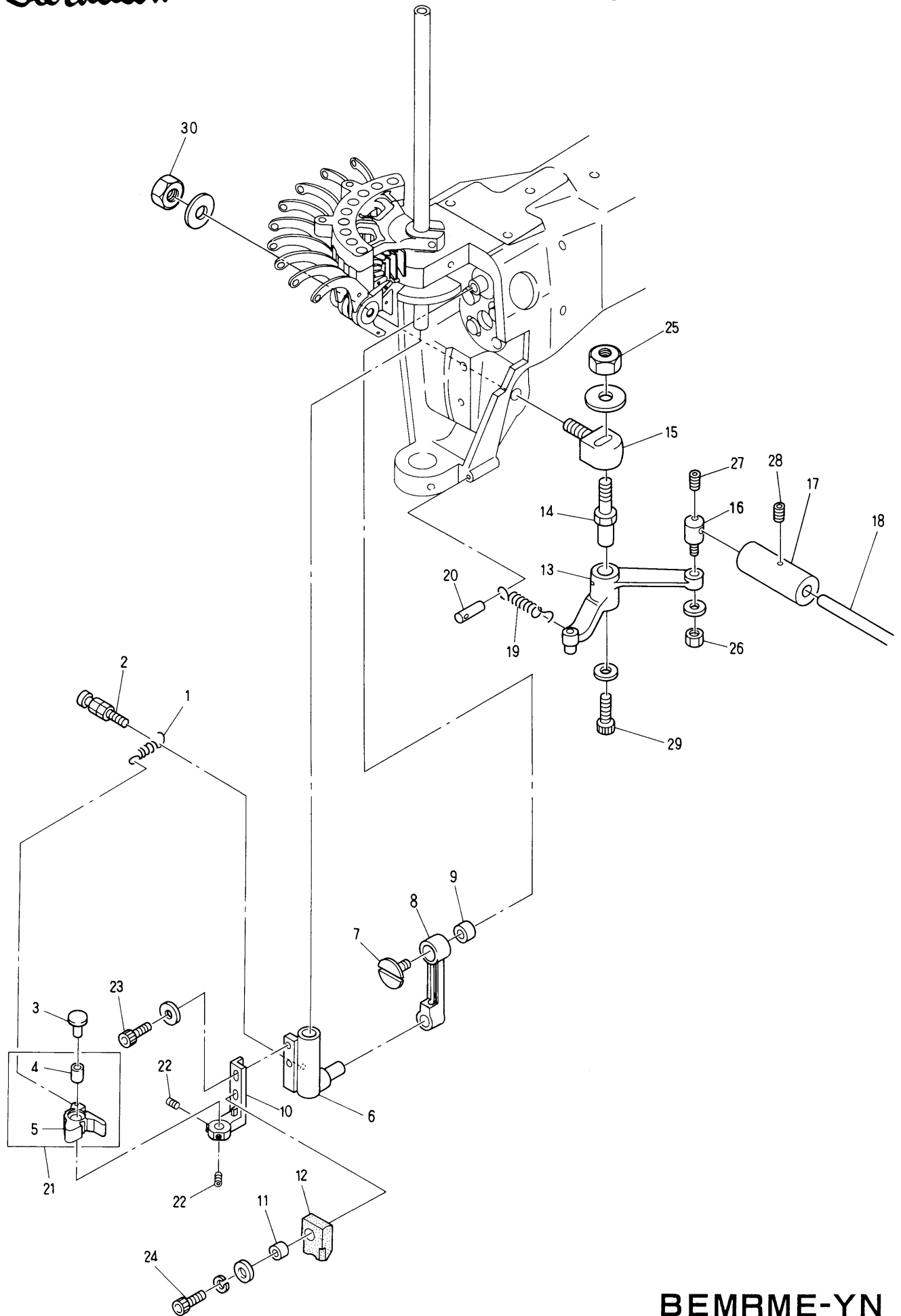


MODEL BEMRME-YN
BEMSME-YN
BEMXME-YN

⑦ Needle bar mechanism I

(※Change the LIST No. by machine type)(H=Head Q'TY)

ITEM	LIST No.	DESCRIPTION	Q'TY	REMARK
1		Turret plate a'ssy	H×1	
2	HT230190	Needle bar a'ssy	H×9	
3	HT230130	Needle bar cap	H×9	
4	HT230151	Needle bar guide	H×9	
5	HT230051	Cloth winder stop latch set clamp	H×9	
6		Hex, socket set screw M4×		
7	HT230041	Needle bar	H×9	
8	HT230250	Needle bar spring (Upper)	H×9	
9	HT230141	Pressure foot	H×9	
10	KF230910	O-Ring (L)	H×9	
11	KF230930	Spacer	H×9	
12	KF230230	Needle clamp	H×9	
13	KF230240	Needle clamp screw (SM9/64 40)	H×9	
14	KF230250	Needle (DBK5-11)	H×9	
15	HT230110	Turret plate oil pad	H×1	
16	HT230061	Needle bar spring (Lower)	H×9	
17	A9012291	Parallel pin φ5×14ℓ	H×1	
18	HT230000	Turret plate	H×1	
19	A9014055	O-Ring (S)	H×18	
20	A9011023	Thrust bearing outer (GS1528)	H×2	
21	A9011021	Thrust bearing (NTB-1528)	H×2	
22	HB230140	Driver shaft under metal	H×1	
23	A9011022	Thrust washer (AS-1528)	H×1	
24	HB230170	Driver shaft set plate	H×1	
25	KC330410	Lock connecting rod (L=2000)		
26		Hex, socket set screw M4×4		
27	KF330381	Lock bar hand grip	2	
28	HT230180	Turret plate joint pin	H×1	
29		Hex, socket bolt M3×12 (With adhesion)	H×1	
30		Hex, socket bolt M4×12		
31	A9012053	Hex, socket set screw M6×0.75×8	H×2	
32		Hex, socket set screw M5×5		
33		Hex, socket button bolt M3×8	H×9	
34		Hex, socket button bolt M4×5	H×1	

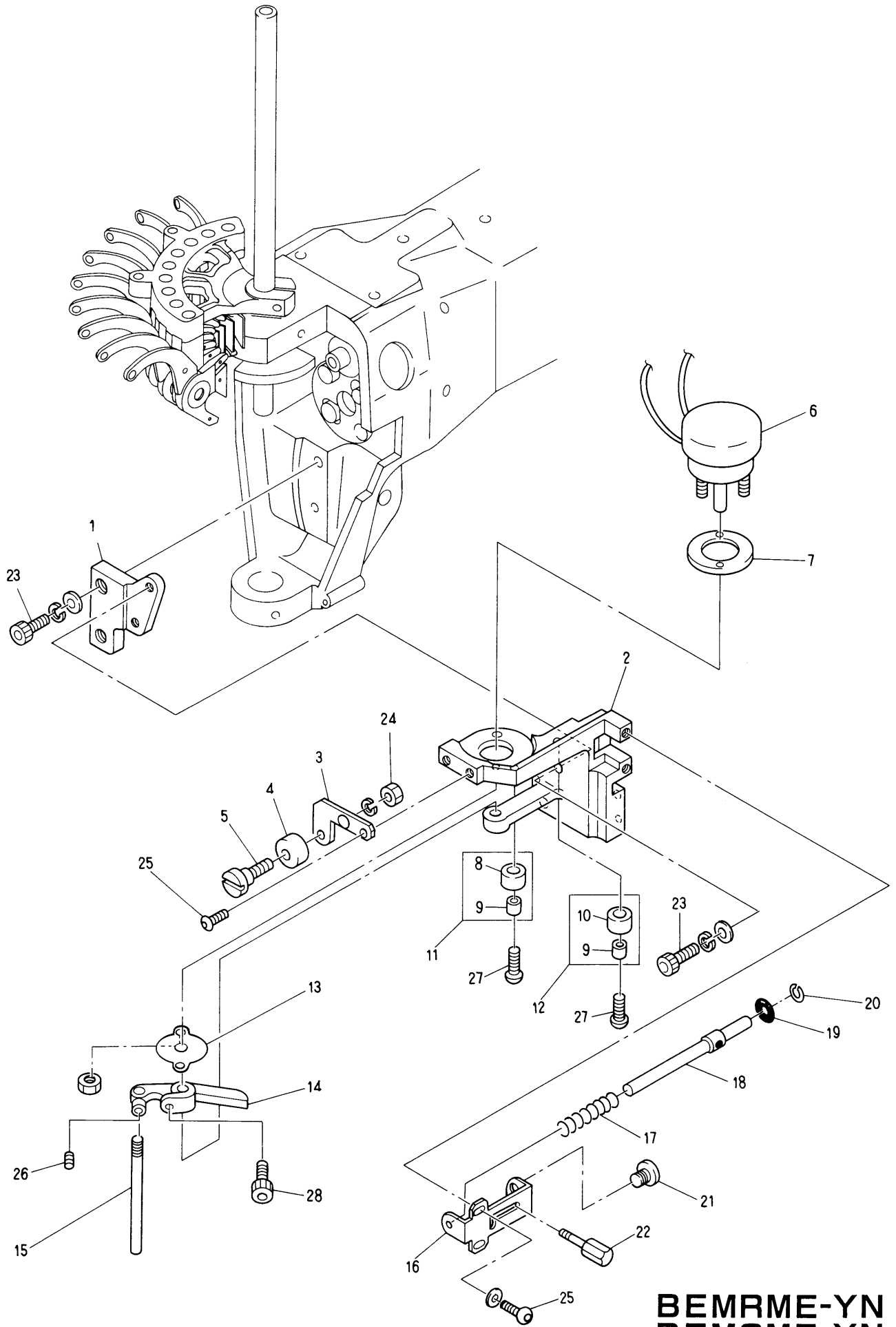


MODEL
BEMRME-YN
BEMSME-YN
BEMXME-YN

⑧ Needle bar mechanism II

(H=Head Q' TY)

ITEM	LIST No.	DESCRIPTION	Q' TY	REMARK
1	HB230401	Needle bar driver return spring	H×1	
2	HB230590	Set screw for return spring	H×1	
3	HB230390	Needle bar driver fixing	H×1	
4	A9012190	DU Bush (MB0606DU)	H×1	
5	HB230383	Needle bar driver	H×1	
6	KB230080	Needle bar driver guide block	H×1	
7	KB230070	90° Crank left-handed screw	H×1	
8	KB230060	Crank rod	H×1	
9	A9011115	Needle bearing (K9×12×10T2)	H×1	
10	HB230372	Needle bar driver fixing base	H×1	
11	HB230420	Needle bar driver stopper set collar	H×1	
12	HB230414	Needle bar driver stopper	H×1	
13	KL230280	Lock lever (With roller)	H×1	
14	KF230630	Lock lever shaft	H×1	
15	KF230650	Lock lever bracket	H×1	
16	KF230640	Lock connecting bar clamp	H×1	
17	KF330381	Lock bar hand grip	2	
18	KC330410	Lock connecting rod (L=2000)		
19	KF230661	Lock lever spring	H×1	
20	KF230670	Lock lever spring pin	H×1	
21	HB230201	Needle bar driver (a'ssy)	H×1	
22		Hex, socket set screw M4×4 (With adhesion)	H×2	
23		Hex, socket bolt M4×12		
24		Hex, socket bolt M4×15		
25		Hex, nut M8		
26		Hex, nut M4		
27		Hex, socket set screw M4×6		
28		Hex, socket set screw M5×5		
29		Hex, socket bolt M5×10		
30		Hex, nut M10		



MODEL

BEMRME-YN
BEMSME-YN
BEMXME-YN

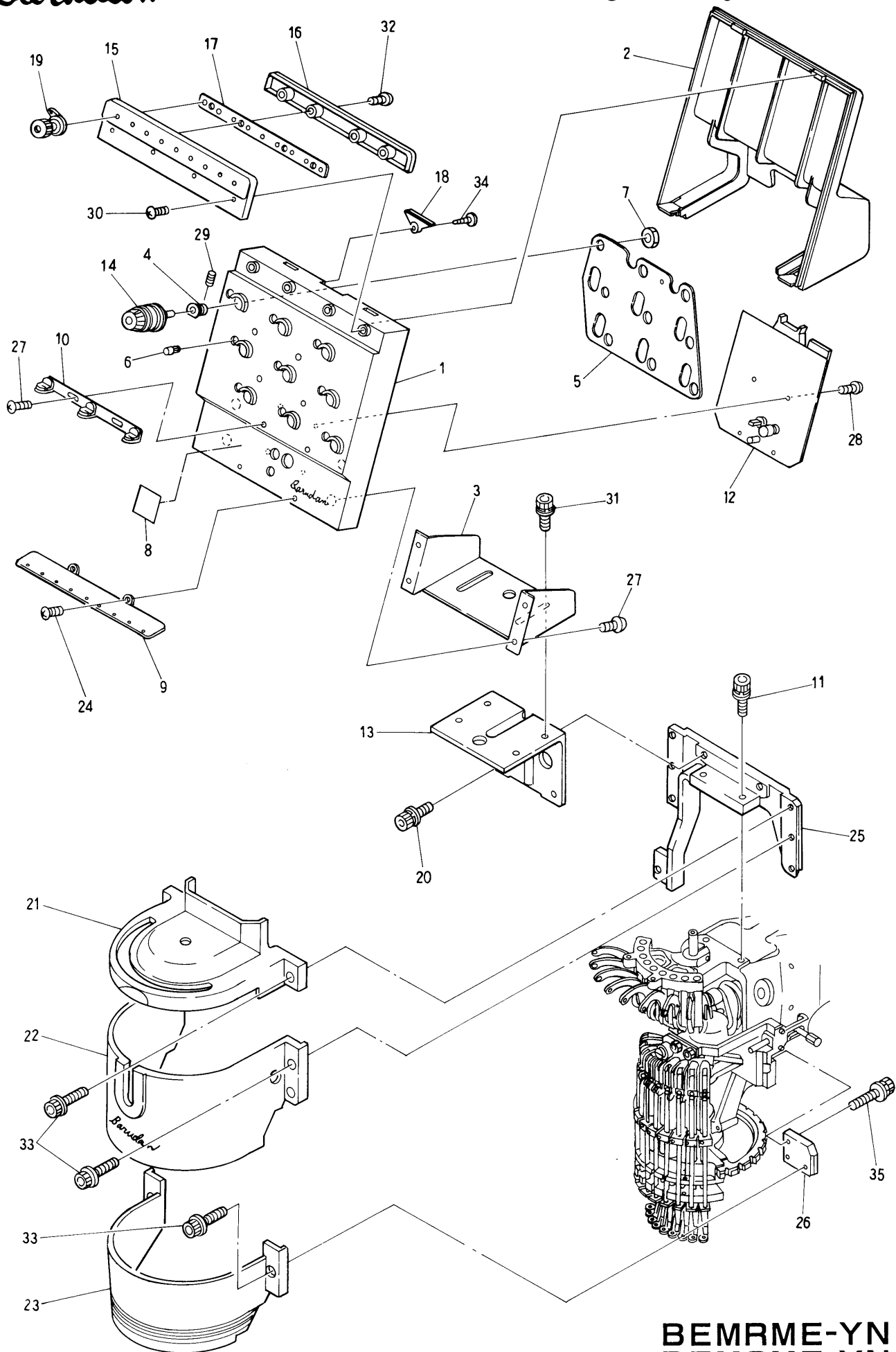
⑨ Jump mechanism

(H=Head Q'TY)

ITEM	LIST No.	DESCRIPTION	Q'TY	REMARK
1	KB210170	Solenoid bracket fixing base	H×1	
2	KB240030	Jump solenoid fixing bracket	H×1	
3	KB230170	Needle bar stopper fixed bracket	H×1	
4	HB230470	Needle bar stopper	H×1	
5	HB230460	Needle bar stopper fixed pin	H×1	
6	A9056020	Rotary solenoid (3ER35×3×8×9, L=45)	H×1	
7	HB230560	Sheet for rotary solenoid	H×1	
8	HB240310	Eccentric collar (φ12)	H×1	
9	HB240040	Stopper eccentric	H×2	
10	HB240050	Eccentric collar (φ11)	H×1	
11	HB240340	Stopper eccentric a'ssy (φ12)	H×1	
12	HB240330	Stopper eccentric a'ssy (φ11)	H×1	
13	HB230580	Solenoid prevention noise cover	H×1	
14	HB240020	Jump solenoid lever	H×1	
15	HB240030	Jump solenoid lever pin	H×1	
16	KB240040	Cancel bracket	H×1	
17	HB240110	Cancel return spring	H×1	
18	HB240070	Cancel rod	H×1	
19	A9014051	O-Ring P-5	H×1	
20	A9012051	E-Ring (φ6)	H×1	
21	HB240090	Cancel rod guide	H×1	
22	HB240080	Manual cancel pin	H×1	
23		Hex, socket bolt M4×12		
24		Hex, nut M4		
25		Hex, socket button bolt M4×10		
26		Hex, socket set screw M4×4 (With adhesion)	H×1	
27		Hex, socket bolt M4×12 (With adhesion)	H×2	
28		Hex, socket bolt M4×8		

Barudan

⑩ Thread guide mechanism

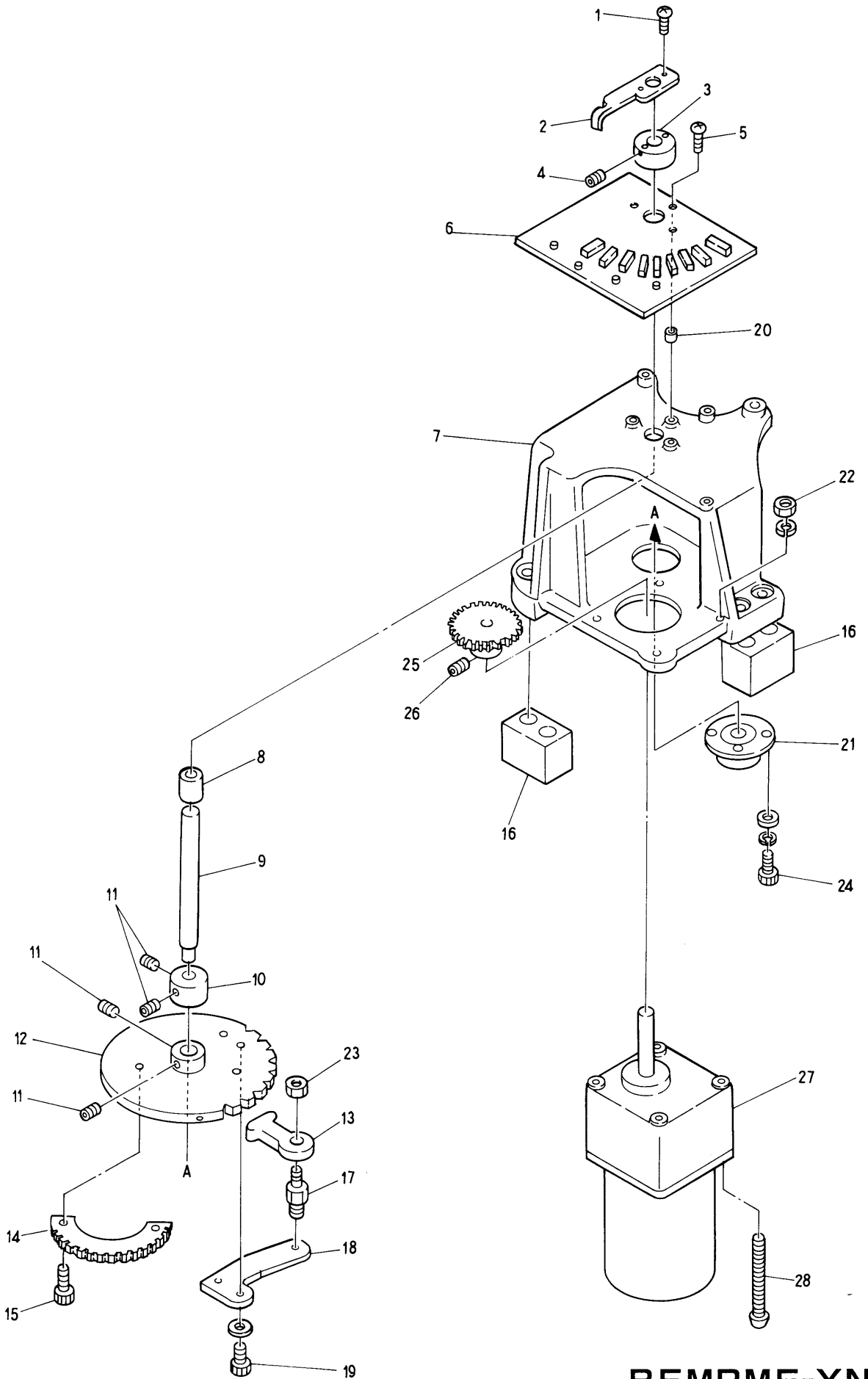


MODEL
BEMRME-YN
BEMSME-YN
BEMXME-YN

⑩ Thread guide mechanism

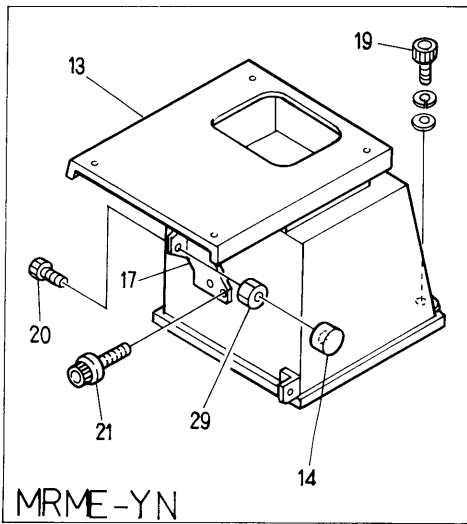
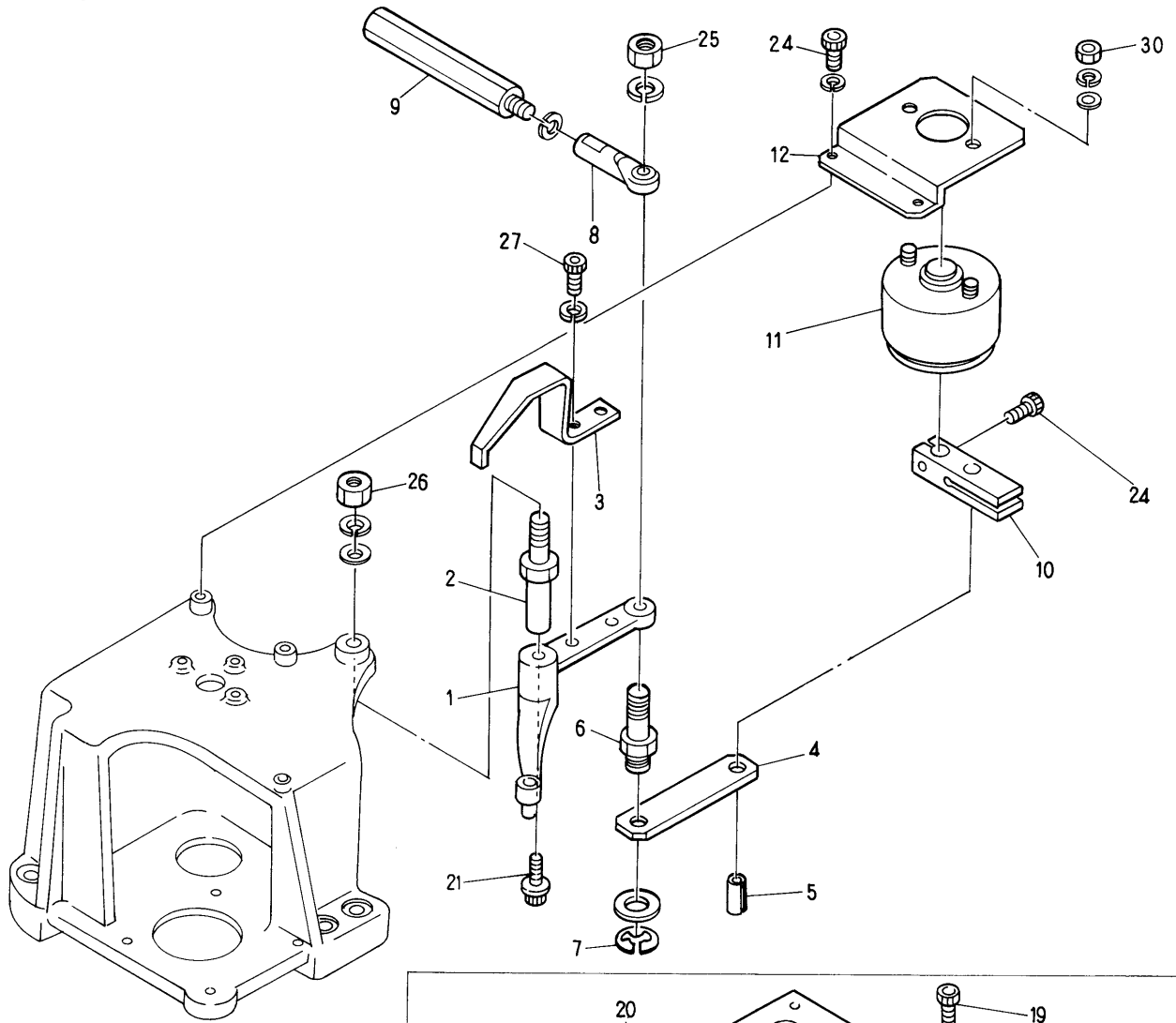
(H=Head Q' TY)

ITEM	LIST No	DESCRIPTION	Q'TY	REMARK
1	HT 2 4 0 1 2 0	Tension base case	H × 1	
2	HT 2 4 0 1 3 0	Tension base cover	H × 1	
3	HT 2 4 0 1 4 0	Tension base	H × 1	
4	HT 2 4 0 1 5 0	Base	H × 9	
5	HT 2 4 0 1 6 0	Tension earth plate	H × 1	
6	HT 2 4 0 1 7 0	Upper thread detection pin	H × 9	
7	HT 2 4 0 1 8 0	SM-Nut	H × 9	
8		No. Label	H × 1	
9	HT 2 4 0 0 2 0	Second thread guide plate (YN)	H × 1	
10	HT 2 4 0 0 6 0	First thread guide (YN)	H × 3	
11		Hex, socket bolt M5 × 15 (With plain washer)		
12	EBY 0 1 1 1 0	4619 Head board	H × 1	
13	KB 2 4 0 0 5 1	Tension base bracket (Multi (MS))	H × 1	
14	HT 2 4 0 3 2 0	Dial type tension unit complete (YN)	H × 9	
15	HT 2 4 0 2 1 0	Upper thread guid fixing case	H × 1	
16	HT 2 4 0 2 2 0	Upper thread guid fixing cover	H × 1	
17	HT 2 4 0 2 3 0	Upper thread guid fixing base	H × 1	
18	HT 2 4 0 2 4 0	Blind cap	H × 1	
19	HT 2 4 0 3 3 0	Thread guide for upper tension	H × 9	
20	KU 2 4 1 4 0 0	Tension base label	H × 1	
21	KB 2 5 0 0 2 0	Sewing head cover (A)	H × 1	
22	KB 2 5 0 0 3 0	Sewing head cover (B)	H × 1	
23	KB 2 5 0 0 4 0	Sewing head cover (C)	H × 1	
24		Tapping screw M4 × 10		
25	KB 2 5 0 0 5 0	Sewing head cover fixing bracket	H × 1	
26	KB 2 5 0 0 6 0	Sewing head cover fixing stay	H × 1	
27		Truss screw M4 × 10		
28		Tapping pan screw M3 × 8		
29		Hex, socket set screw M4 × 12		
30		Pan screw M3 × 6		
31		Hex, socket bolt with washer M5 × 10		
32		Tapping screw II M3 × 12		
33		Hex, socket bolt M4 × 6 (With plain washer, Spring washer)		
34		Tapping screw M3 × 12		
35		Hex, socket bolt M4 × 15 (With plain washer, Spring washer)		

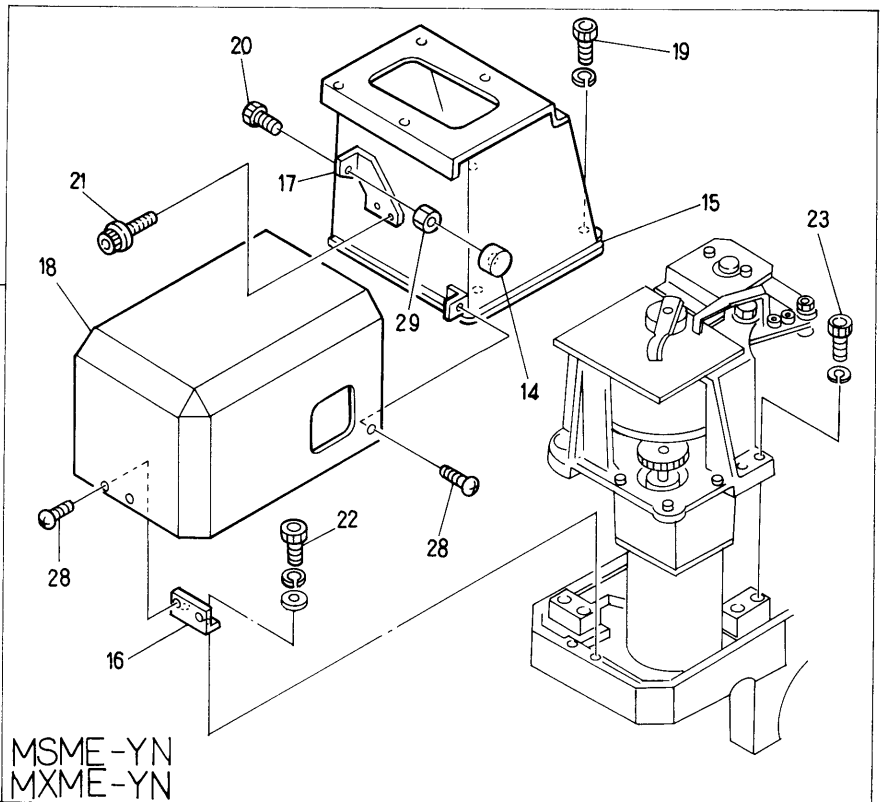


MODEL

BEMRME-YN
BEMSME-YN
BEMXME-YN



MRME-YN



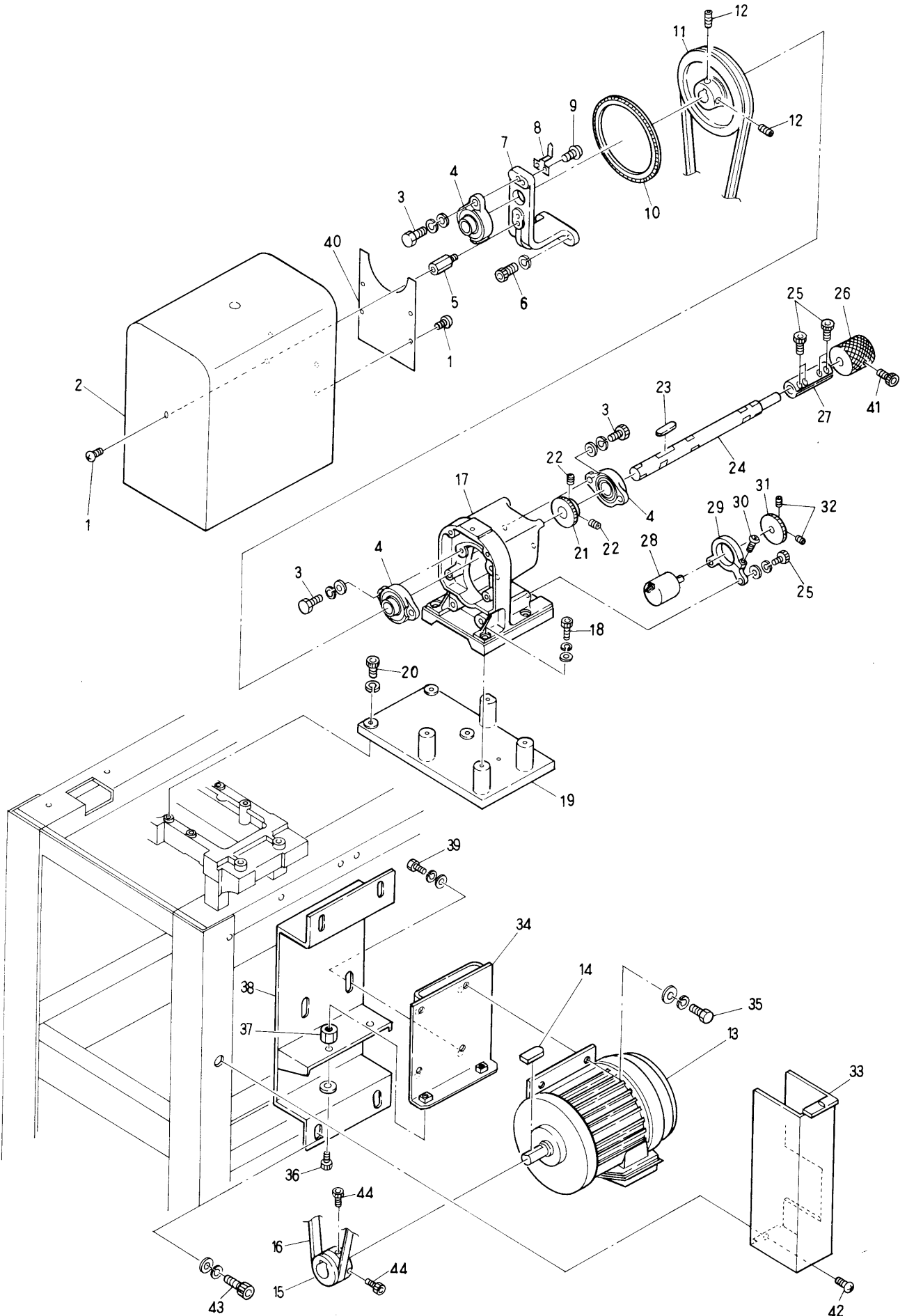
MSME-YN
MXME-YN

MODEL

BEMRME-YN
BEMSME-YN
BEMXME-YN

⑫ Color change mechanism II

ITEM	LIST No.	DESCRIPTION	QTY	REMARK
1	KG 2 3 0 6 1 0	Lock lever	1	
2	KF 2 3 0 6 3 0	Lock lever shaft	1	
3	KC 3 3 0 2 9 0	Lock detection plate	1	
4	KN 3 3 0 2 5 0	Lock lever link	1	
5	A 9 0 1 2 1 4 3	Spring pin $\phi 6$ L=12	1	
6	KC 3 3 0 2 3 0	Lock lever pin	1	
7	A 9 0 1 2 1 3 7	Snap ring $\phi 8$	1	
8	A 9 0 1 2 0 0 2	Uni ball joint (PR - 6)	1	
9	KC 3 3 0 5 1 0	Hex, connecting bar (L)	1	
10	KN 3 3 0 2 4 0	Lock solenoid lever	1	
11	KC 3 3 0 8 5 0	Rotary solenoid 6 SR-25 (27×4×9) L=15	1	
12	KC 3 3 0 2 6 0	Rotary solenoid bracket	1	
13	KN 3 3 2 0 1 0	Automat base (MRME)	1	
14	KN 2 3 1 3 5 0	Needle bar cap	1	
15	KN 3 3 0 1 3 0	Automat base (MSME, MXME)	1	
16	KC 3 3 0 9 1 0	Cover bracket	1	
17	KL 3 3 0 0 2 0	Lock lever stopper	1	
18	KL 3 3 0 0 1 0	Cover	1	
19		Hex, socket bolt M 6 × 12		
20		Hex, socket bolt M 5 × 30		
21		Hex, socket flange bolt M 5 × 12		
22		Hex, socket bolt M 5 × 10		
23		Hex, socket bolt M 6 × 60		
24		Hex, socket bolt M 5 × 12		
25		Hex, nut M 6		
26		Hex, nut M 8		
27		Hex, socket bolt M 4 × 8		
28		Truss screw M 4 × 6		
29		Hex, nut M 5		
30		Hex, nut M 4		

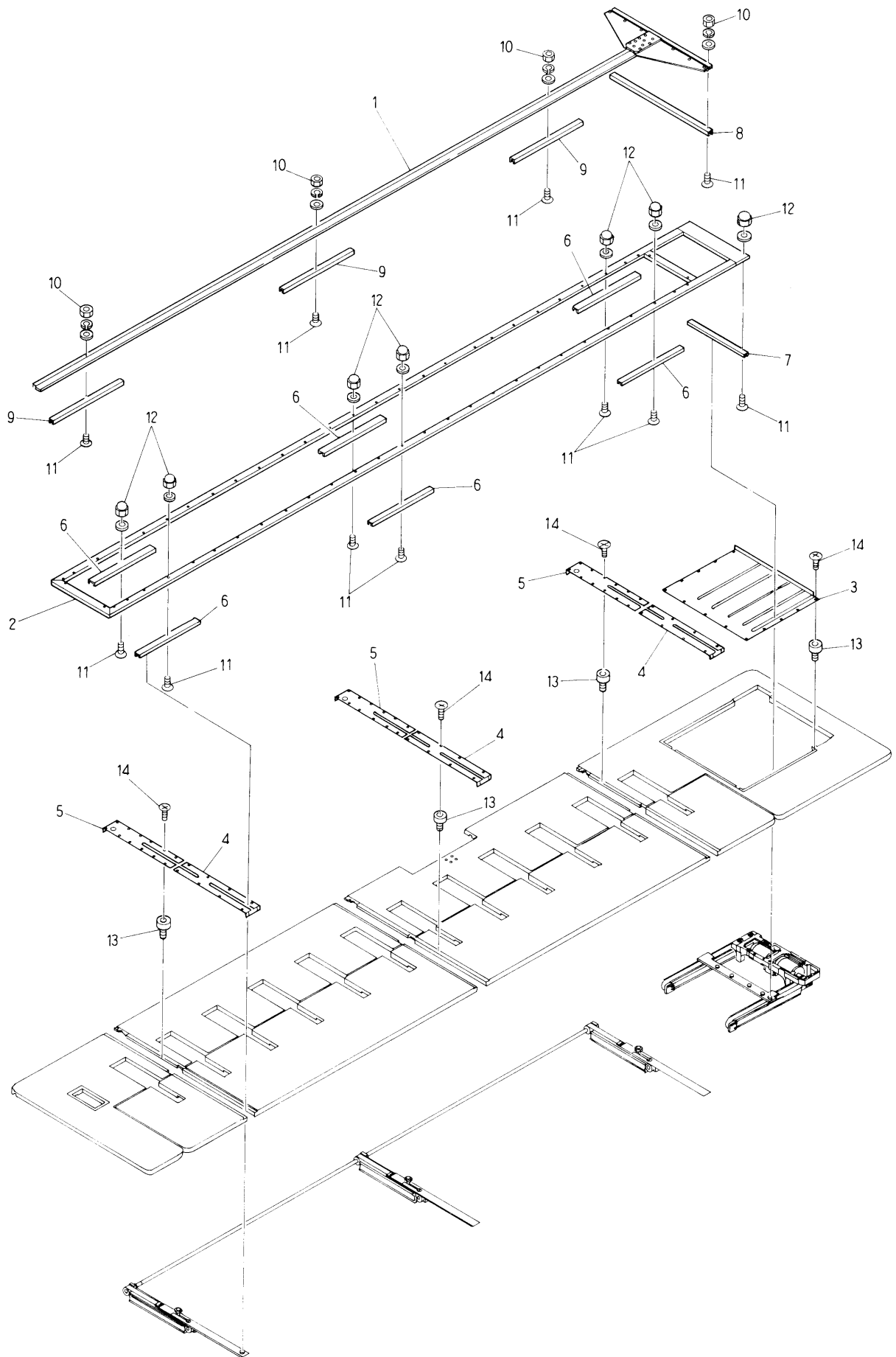


MODEL
BEMRME-YN
BEMSME-YN
BEMXME-YN

⑬ Drive mechanism

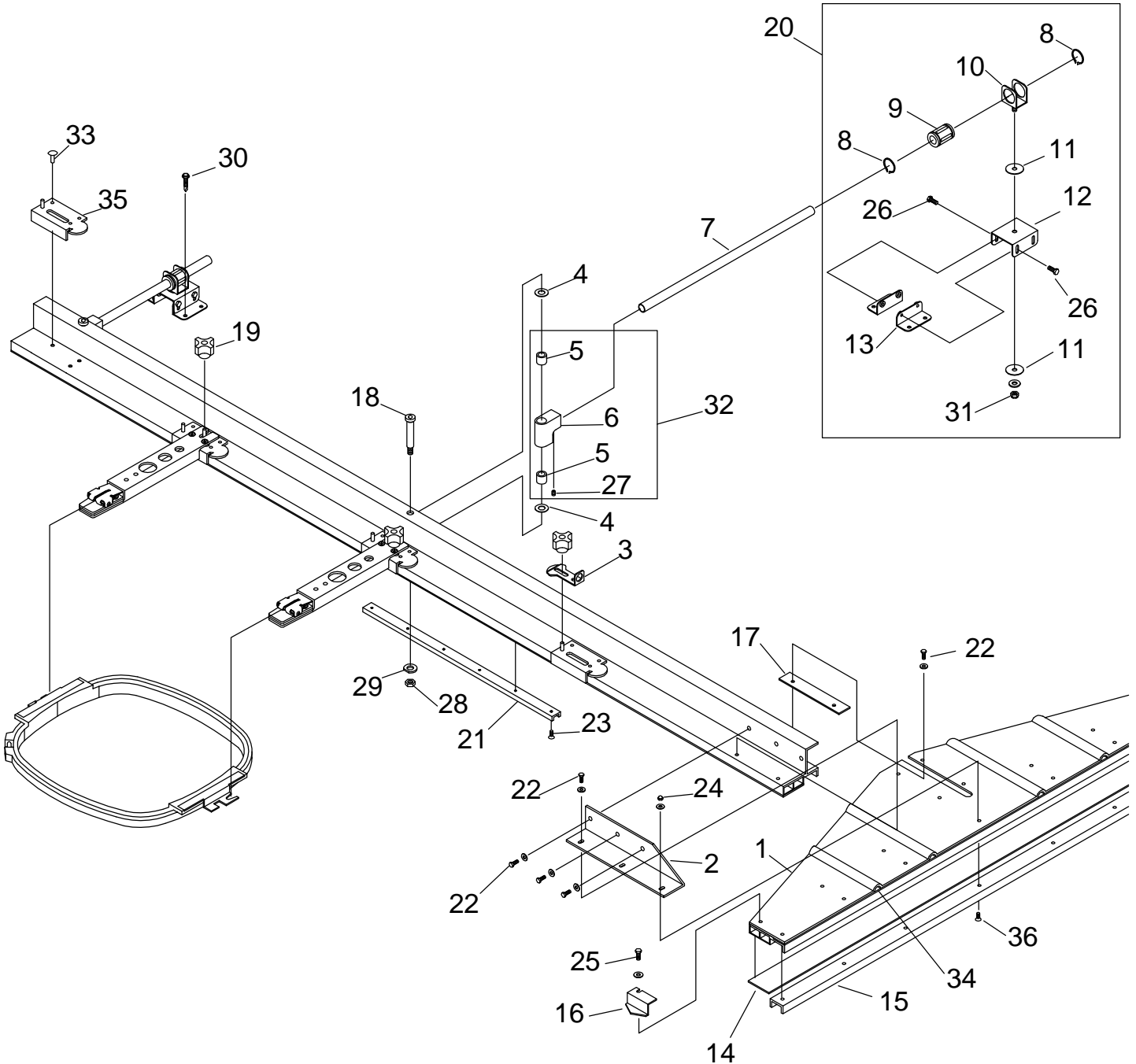
ITEM	LIST No.	DESCRIPTION	Q'TY	REMARK
1		Truss screw M4×6		
2	KK310030	Belt cover (Upper)	1	
3		Hex, bolt M8×25		
4	A9011017	Bearing unit (BLF 204)	3	
5	KN312940	Belt cover stay	1	
6		Hex, socket bolt M8×25		
7	KN315130	Brake box bearing	1	
8	KN310050	Angle gauge	1	
9		Hex, socket button bolt M4×10		
10	KN313670	Angle label (A)	1	
11	KN310000	Driving pulley φ152.2	1	
12		Hex, socket set screw M6×8		
13	KN315110	Motor (IK-FBK8-4P-0.55KW, VF3 200V)	1	
14		Key 6×6×32	1	
15	KN310010	Motor pulley φ48.6	1	
16	A9020200	V-Belt (4PK-1240)	1	
17	KN312810	Brake box	1	
18		Hex, socket bolt M6×40		
19	KK310040	Brake box base	1	
20		Hex, socket bolt M6×35 (With spring washer)		
21	KC312911	Encoder driving gear No.1	1	
22		Hex, socket set screw M5×8		
23	WW310210	Key 6×6×35	1	
24	KN312820	Brake shaft	1	
25		Hex, socket bolt M6×20		
26	KC320590	Hand pulley	1	
27	HH320550	Upper shaft connecting coupling	1	
28	KN511020	Position corder 051 (for Embroidery machine)	1	
29	KC312890	Encoder retainer	1	
30		Pan screw M4×15		
31	KC312921	Encoder driving gear No.2	1	
32		Hex, socket set M4×8		
33	KL310100	Belt cover (下)	1	
34	KL310071	Motor fixing bracket	1	
35		Hex, bolt M8×25		
36		Hex, bolt M8×60		
37		Hex, nut M8		
38	KL310081	Motor base	1	
39		Hex, bolt M8×20		
40	KK310020	Belt encoder cover (Upper)	1	
41		Hex, socket bolt M6×12		
42		Truss screw M4×8		
43		Hex, socket bolt M8×25		
44		Hex, socket bolt M6×15		Key side
		Hex, socket bolt M6×18		

⑭ Pantograph drive mechanism I
(Pantograph, Cover)



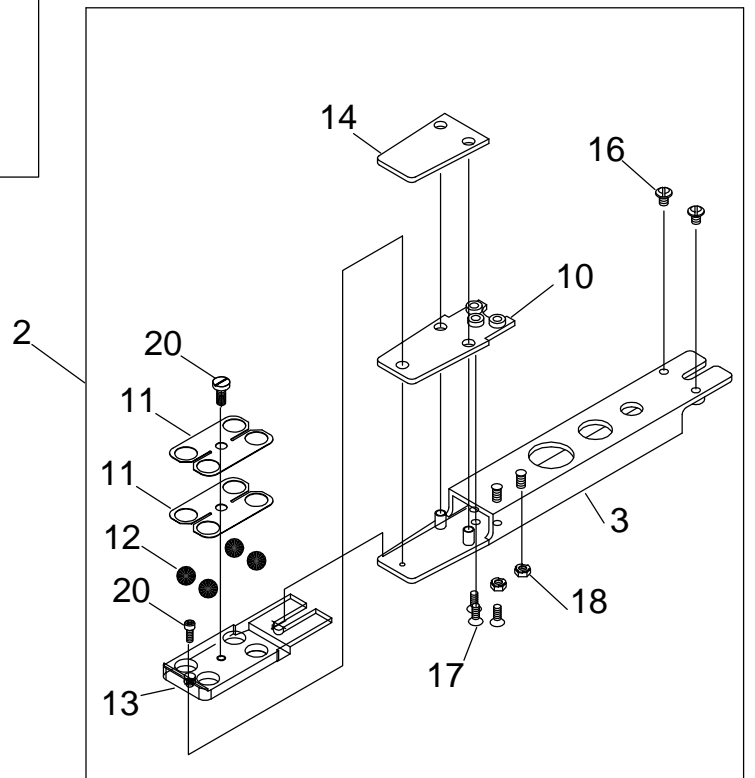
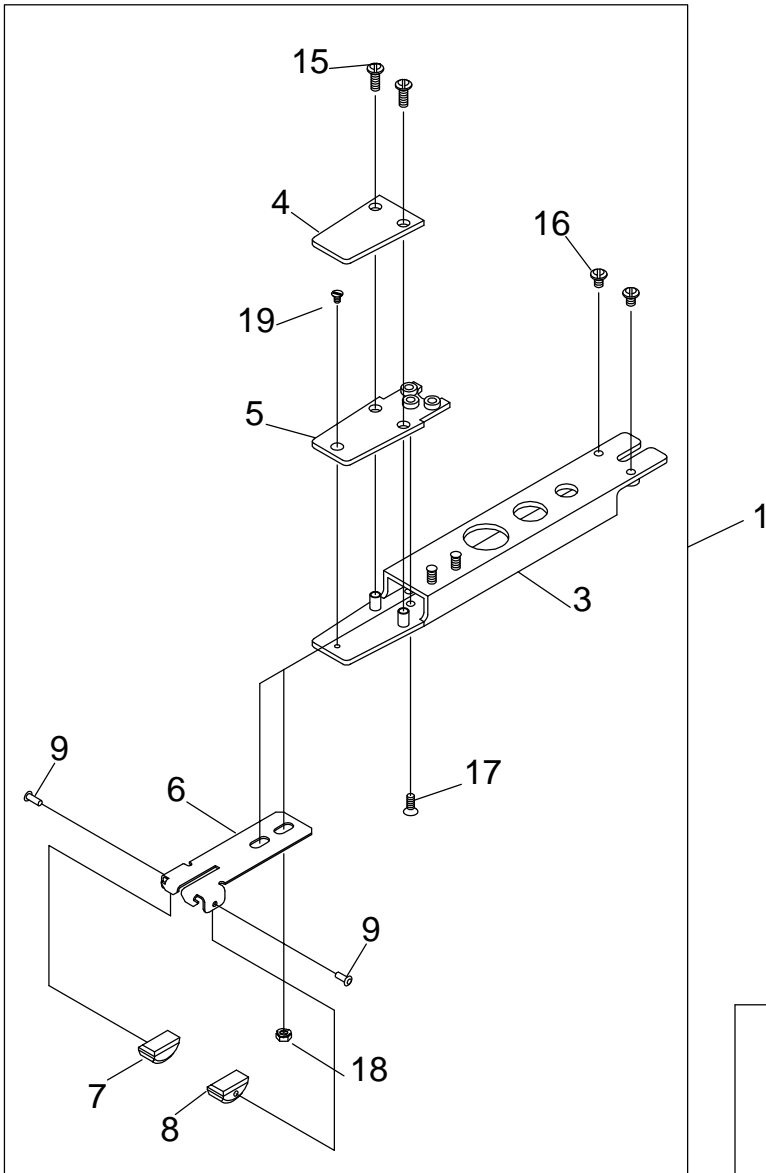
MODEL BEMRME-YN
BEMSME-YN
BEMXME-YN

American Pantograph Addendum



(For 12, 15, and 20 head U.S. built machines)

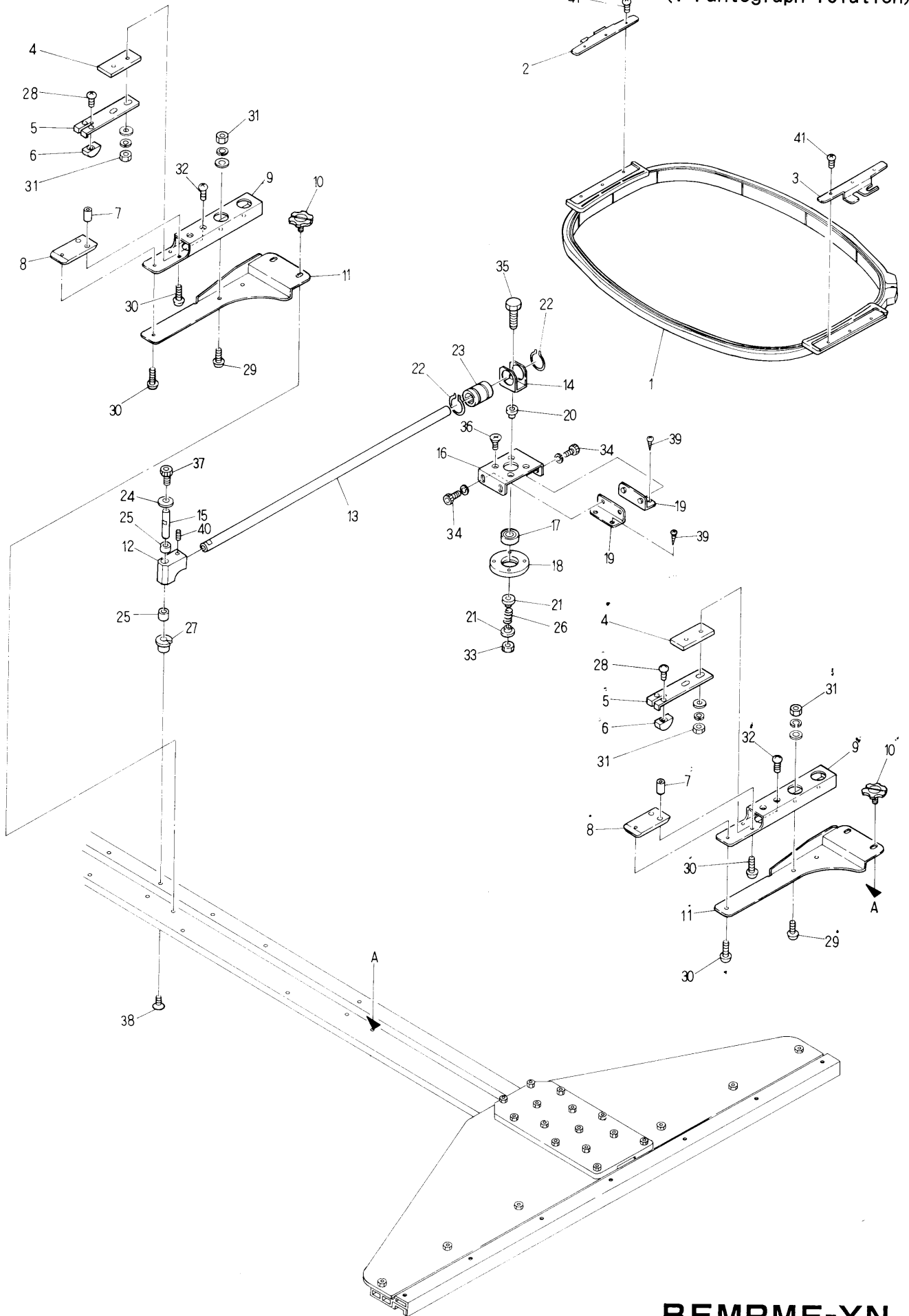
American Pantograph Addendum



(For 12, 15, and 20 head U.S. built machines)

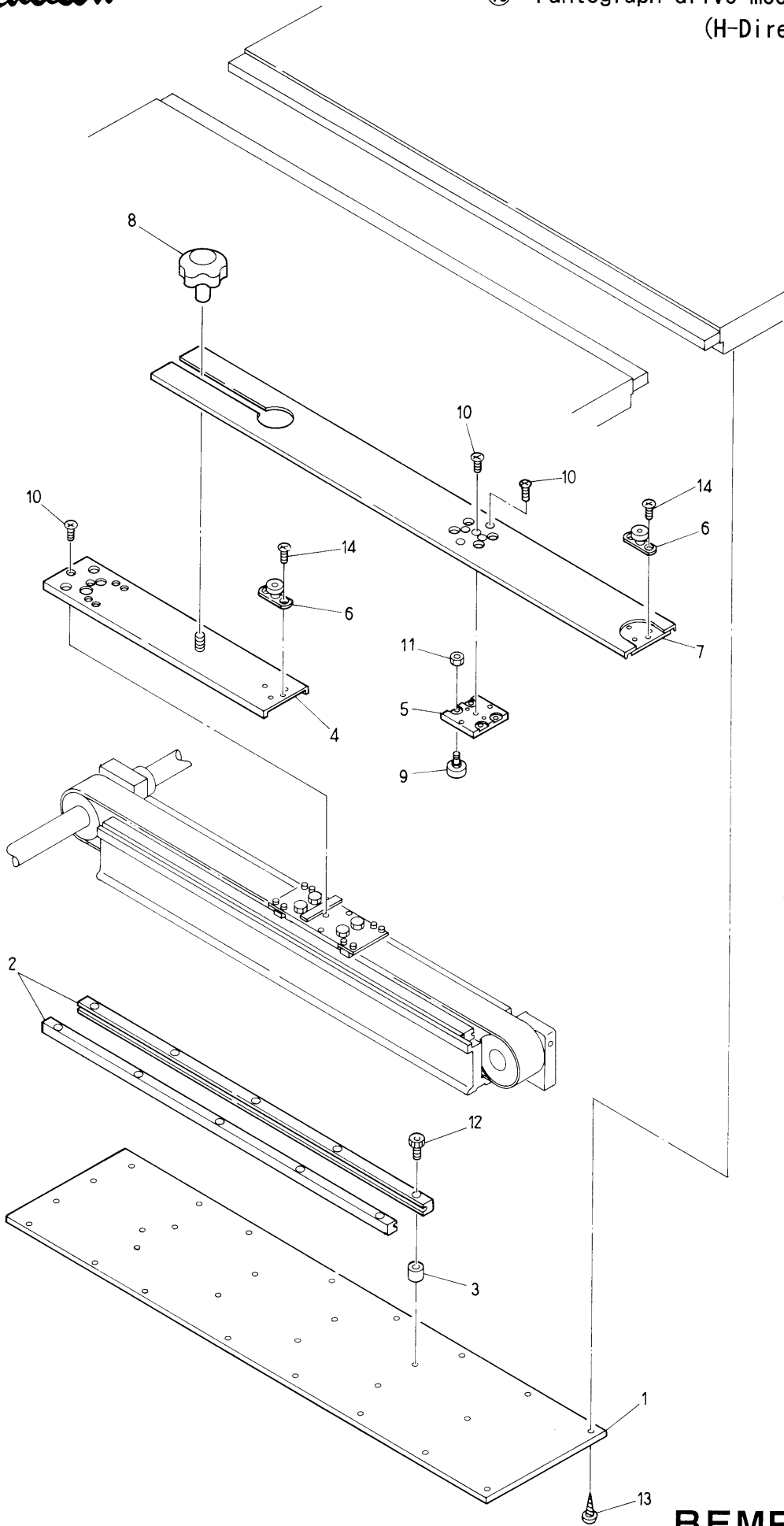
Barudan

15 Pantograph drive mechanism II
(T-Pantograph relation)



⑮ Pantograph drive mechanism II (T-Pantograph relation)

ITEM	LIST No.	DESCRIPTION	Q'TY	REMARK
1	FR92300290A	Square pantograph 320×290	12	
2	FR600528	Metal for allot wood frame (No.1) R	12	
3	FR600529	Metal for allot wood frame (No.1) L	12	
4	HS460200	Fixing spacer	13	
5	HS460030	Frame fixing spring No.2	13	
6	HS460050	Frame fixing block	26	
7	HS460210	Frame fixing the position pin	26	
8	KK460130	Frame slide plate	13	
9	KK460050	Fixing base	13	
10	HS730000	Knurling screw for pantograph	26	
11	KK460061	Fixing stay	13	
12	KK460070	Rotation block	6	
13	KK460090	Pantograph set driving shaft	6	
14	KK460040	Bush fixing bracket	6	
15	KK460080	Rotation shaft B	6	
16	KK460010	Pantograph set base (Upper)	6	
17	A9010036	Bearing (6900ZZ)	6	
18	KK460031	Bearing set plate	6	
19	KK460000	Pantograph set base (Lower)	12	
20	KK460020	Rotation shaft A	6	
21	KK460120	Spring set plate	12	
22	A9012064	C-Ring (For shaft) 21	12	
23	A9011131	Slide bush SM12GUU	6	
24	A9012164	Thrust washer R-TW 0815	6	
25	A9011132	DU bush MB0805	12	
26	KK460140	Pantograph set spring	6	
27	A9012264	DU bush (MB0808-15FDU)	6	
28		Truss screw M3×3		
29		Truss screw M3×7		
30		Truss screw M3×5		
31		Hex, nut M3		
32		Truss screw M3×10		
33		U-Nut M5		
34		Hex, socket M5×10		
35		Hex, bolt M5×25		
36		Flush screw M4×10		
37		Hex, socket bolt M4×8		
38		Flush screw M4×12		
39		Bind tapping screw 4.5×24		
40		Hex, socket set screw M6×8		
41		Flush screw M3×6		

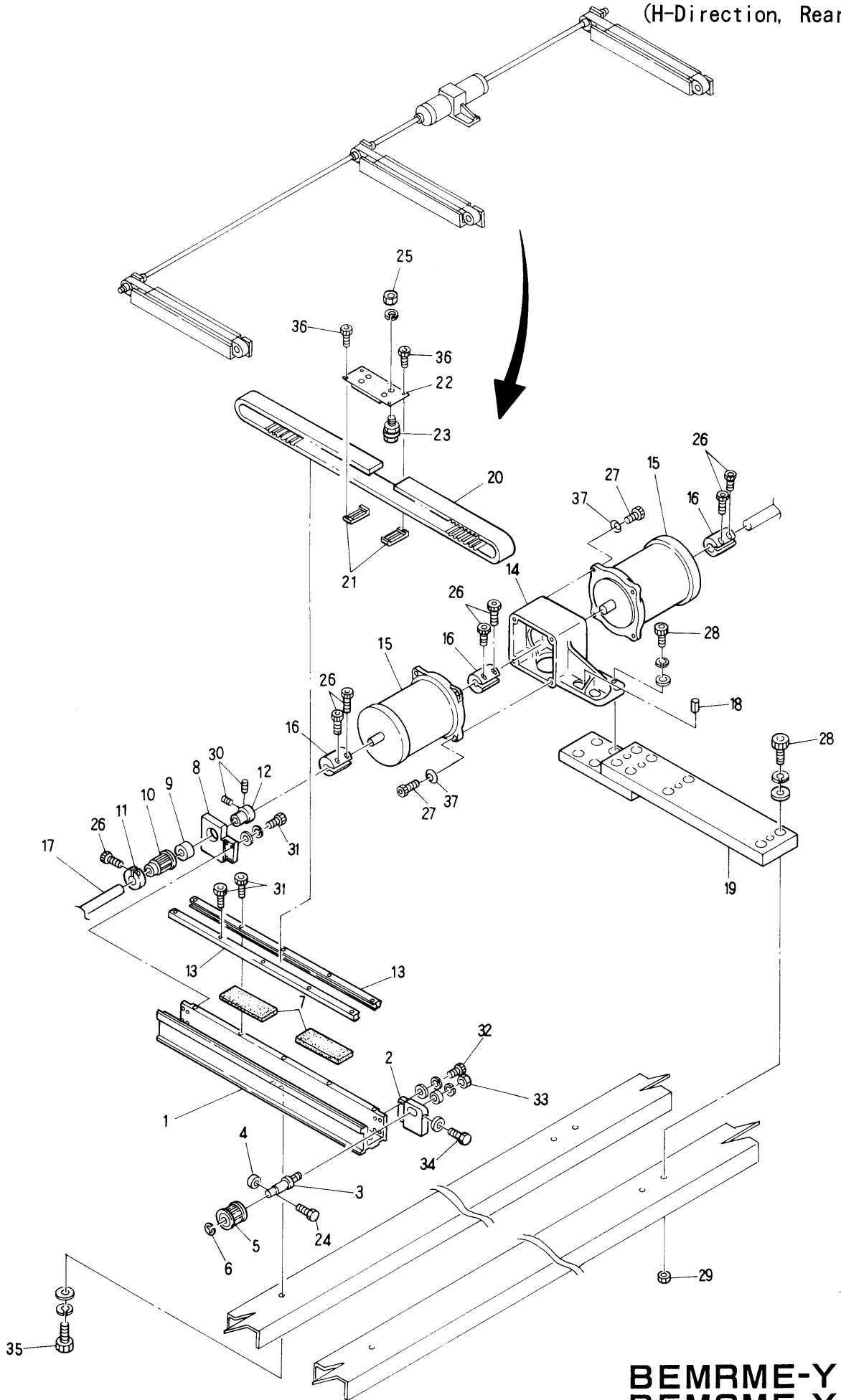


MODEL

BEMRME-YN
BEMSME-YN
BEMXME-YN

Barudan

⑰ Pantograph drive mechanismIV
(H-Direction, Rear I)

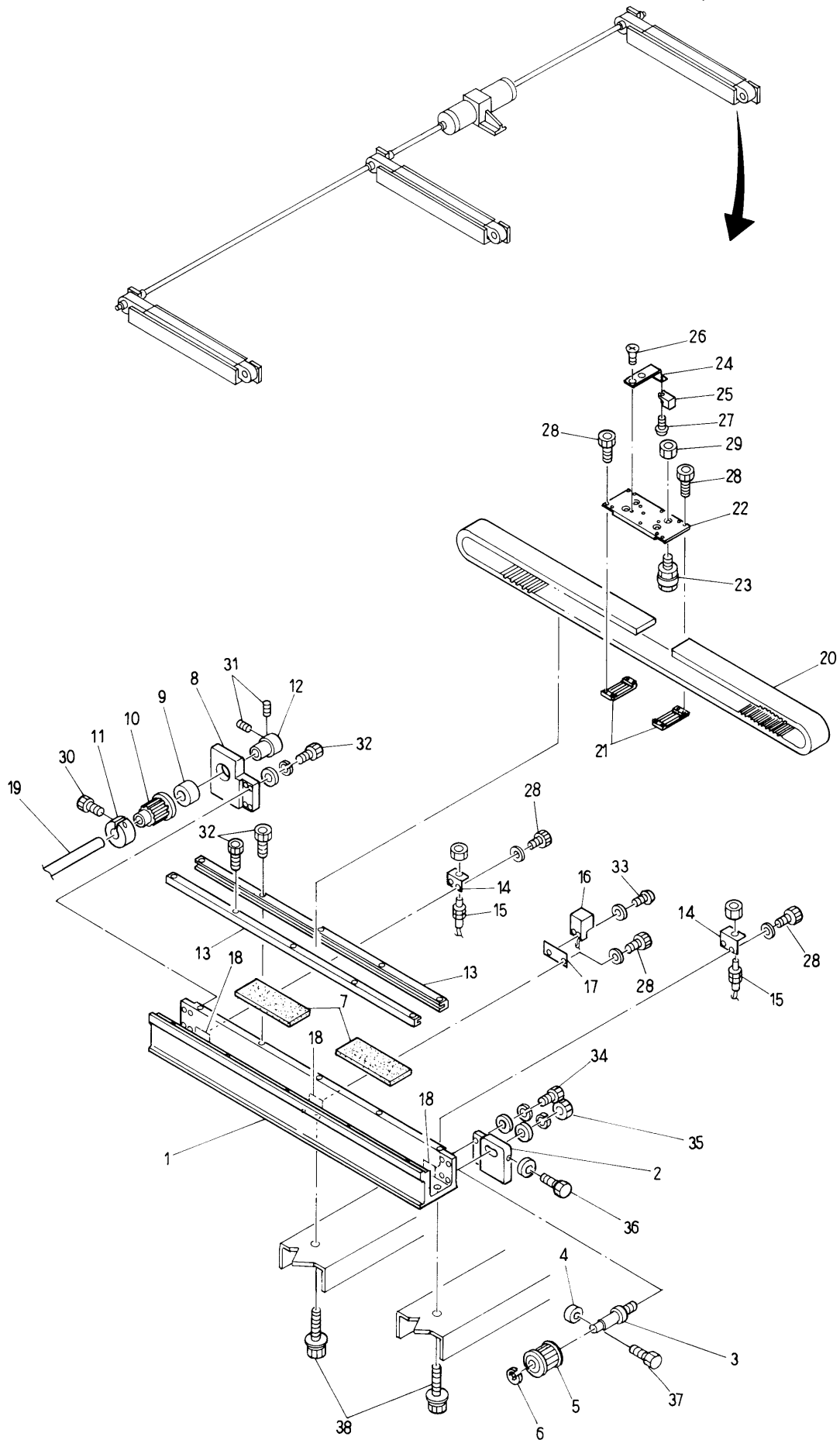


MODEL
BEMRME-YN
BEMSME-YN
BEMXME-YN

⑰ Pantograph drive mechanismIV (H-Direction, Rear I)

ITEM	LIST No.	DESCRIPTION	Q'TY	REMARK
1	KK480010	H-Guide rail base	2	
2	KN482000	H-Guide front pulley bracket	2	
3	HH481991	Timing pulley shaft	2	
4	HH482110	Pulley shaft bolt cap	2	
5	HP482980	Pantograph driving pulley (Front) (S5M)	2	
6	A9012052	E-Ring (φ10)	2	
7	KN480061	Rail base felt (100×38×6)	4	
8	KN482010	H-Guide rear pulley bracket	2	
9	A9011110	Needle bearing HK 2016	2	
10	HP482990	Pantograph driving pulley (Rear) (S5M)	2	
11	HH481980	Clamping φ19	2	
12	HH481970	Pulse motor connecting shaft collar	2	
13	KK480140	V-Guide rail (H) (L=430)	4	
14	KN470151	H-Pulse motor bracket	1	
15	HH481900	Pulse motor (4M)	2	
16	HH481931	Pulse motor coupling	3	
17		H-Pulse motor connecting shaft A (L=2470)	1	
18		Roll pin φ4×30	2	
19	KK470000	H-Motor bracket a'ssy	1	
20	A9020098	Timing belt (300S5M2000)	2	
21	HP482940	Timing set rack (5M)	4	
22	KK140130	H-Roller base (B·A type)	2	
23	HP482950	Roller pin a'ssy A	8	
24		Hex, bolt M4×35		
25		Hex, nut M5		
26		Hex, socket bolt M5×18		
27		Hex, socket bolt M6×22		
28		Hex, socket bolt M8×40		
29		Hex, nut M8		
30		Hex, socket set screw M5×8		
31		Hex, socket bolt M4×15		
32		Hex, socket bolt M4×18		
33		Hex, nut M8		
34		Hex, socket bolt M4×25		
35		Hex, socket bolt M8×22(With plain washer, Spring washer)		
36		Hex, socket bolt M3×8		
37		Disc spring 4 for hex, socket bolt		

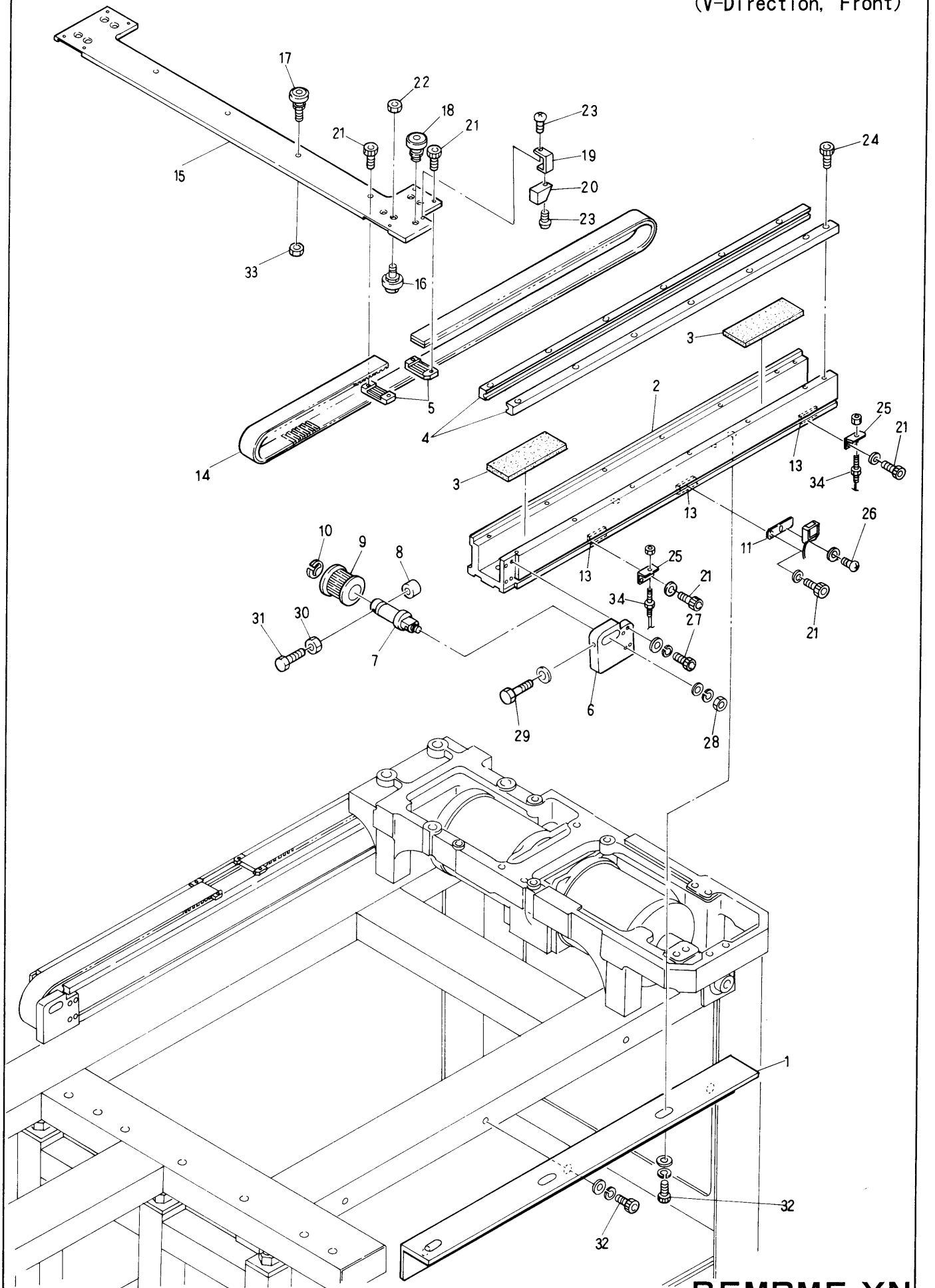
⑱ Pantograph drive mechanism V
(H-Direction, Rear II)



MODEL
BEMRME-YN
BEMSME-YN
BEMXME-YN

⑱ Pantograph drive mechanismV (H-Direction, Rear II)

ITEM	LIST No.	DESCRIPTION	Q'TY	REMARK
1	KK480010	H-Guide rail base	1	
2	KN482000	H-Guide front pulley bracket	1	
3	HH481991	Timing pulley shaft	1	
4	HH482110	Pulley shaft bolt cap	1	
5	HP482980	Pantograph driving pulley (Front) (S5M)	1	
6	A9012052	E-Ring (φ10)	1	
7	KN480061	Rail base felt (100×38×6)	2	
8	KN482010	H-Guide rear pulley bracket	1	
9	A9011110	Needle bearing HK 2016	1	
10	HP482990	Pantograph driving pulley (Rear) (S5M)	1	
11	HH481980	Clamping φ19	1	
12	HH481970	Pulse motor connecting shaft collar	1	
13	KK480140	V-Guide rail (H) (L=430)	2	
14	MT460240	RS-001 Bracket (V)	2	
15	A9052024	Switch RS-001	2	
16	A9052031	Magnet proximity switch MH-601 A	1	
17	KN450300	MH-601A Proximity switch fixing bracket	1	
18	KU460270	Plate nut (M3)	3	
19		H-Pulse motor connecting shaft B (L=985)	1	
20	A9020098	Timing belt (300S5M2000)	1	
21	HP482940	Timing belt set rack (5M)	2	
22	KK140130	H-Roller base (B・A type)	1	
23	HP482950	Roller pin a'ssy A	4	
24	KU460342	H-Pantograph origin point magnet bracket	1	
25	A9052030	Magnet M-102A-02	1	
26		Flush screw M4×6		
27		Truss screw M3×6		
28		Hex, socket bolt M3×6		
29		Hex, nut M5		
30		Hex, socket bolt M5×18		
31		Hex, socket set screw M5×8		
32		Hex, socket bolt M4×15		
33		Truss screw M3×10		
34		Hex, socket bolt M4×18		
35		Hex, nut M8		
36		Hex, bolt M4×25		
37		Hex, bolt M4×35		
38		Hex, socket bolt M8×22(With plain washer, Spring washer)		

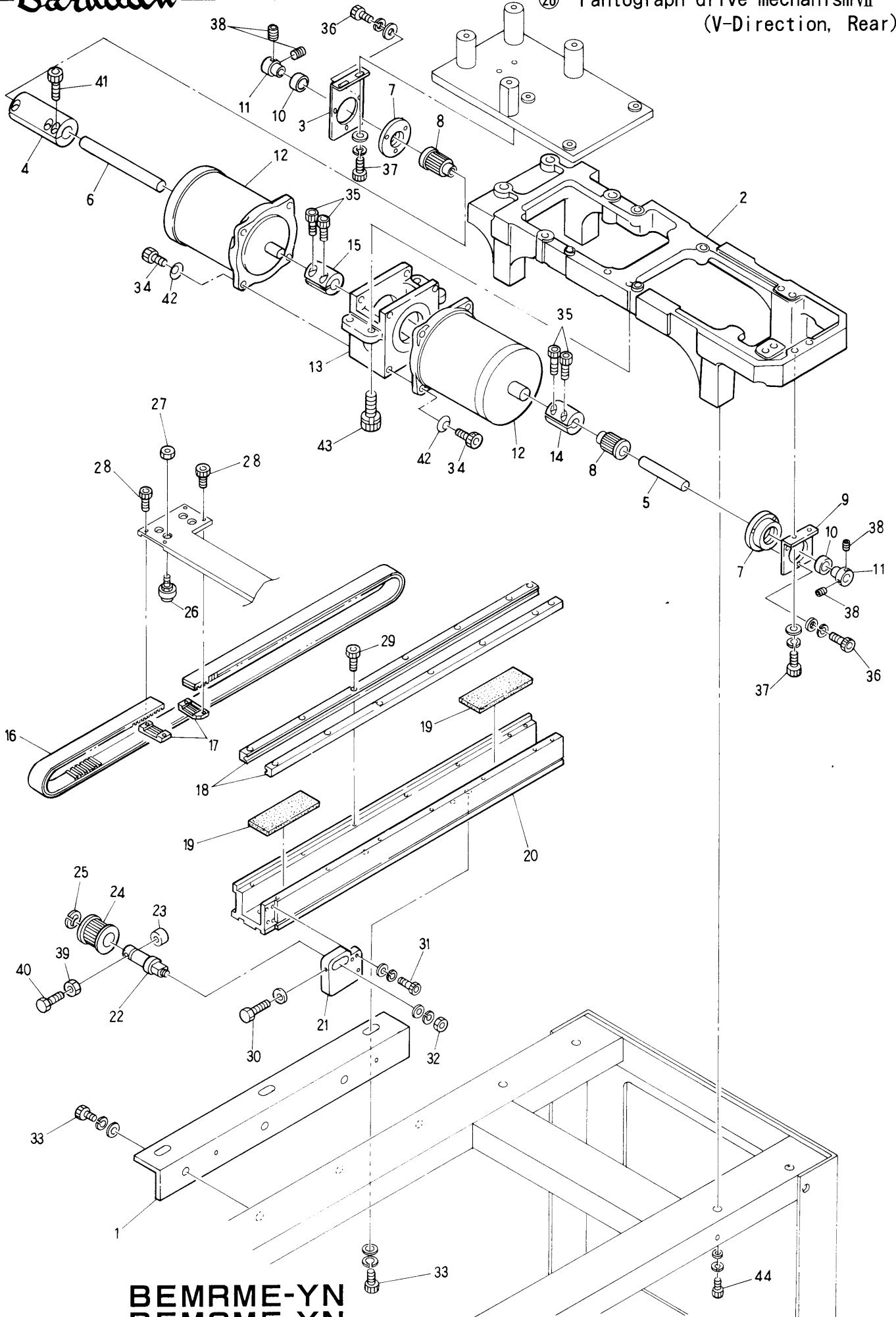


⑱ Pantograph drive mechanism VI (V-Direction, Front)

ITEM	LIST No.	DESCRIPTION	Q'TY	REMARK
1	KK480030	V-Guide rail base bracket (Front)	1	
2	KN483420	V-Guide rail base (Stroke 480)	1	
3	KN480061	Rail base felt (100×38×6)	2	
4	KN483450	V-Guide rail (L=660)	2	
5	HP482940	Timing belt set rack (5M)	2	
6	KN482000	H-Guide front pulley bracket	1	
7	HH481991	Timing pulley shaft	1	
8	HH482110	Pulley shaft bolt cap	1	
9	HP482980	Pantograph driving pulley (Front) (S5M)	1	
10	A9012052	E-Ring (φ10)	1	
11	KN450300	MH-601A Proximity switch fixing bracket	1	
12	A9052031	Magnet proximity switch (MH-601A)	1	
13	KU460270	Plate nut (M3)	3	
14	A9020098	Timing belt (300S5M2000)	1	
15	KK480110	V-Roller base	1	
16	HP482950	Roller pin a'ssy A	4	
17	HP483111	Guide rail bearing pin a'ssy B	4	
18	HP483370	Guide rail bearing pin a'ssy	1	
19	KN450311	V-Pantograph origin point magnet bracket	1	
20	A9052030	Magnet (M-102A-02)	1	
21		Hex, socket bolt M3×6		
22		Hex, nut M5		
23		Truss screw M3×6		
24		Hex, socket bolt M4×15		
25	MT460240	RS-001 Bracket (V)	2	
26		Truss screw M3×10		
27		Hex, socket bolt M4×18		
28		Hex, nut M8		
29		Hex, bolt M4×25		
30		Hex, nut M4		
31		Hex, bolt M4×35		
32		Hex, socket bolt M8×20		
33		Hex, nut M6		
34	A9052024	Switch RS-001	2	

Barudan

20 Pantograph drive mechanism VII
(V-Direction, Rear)

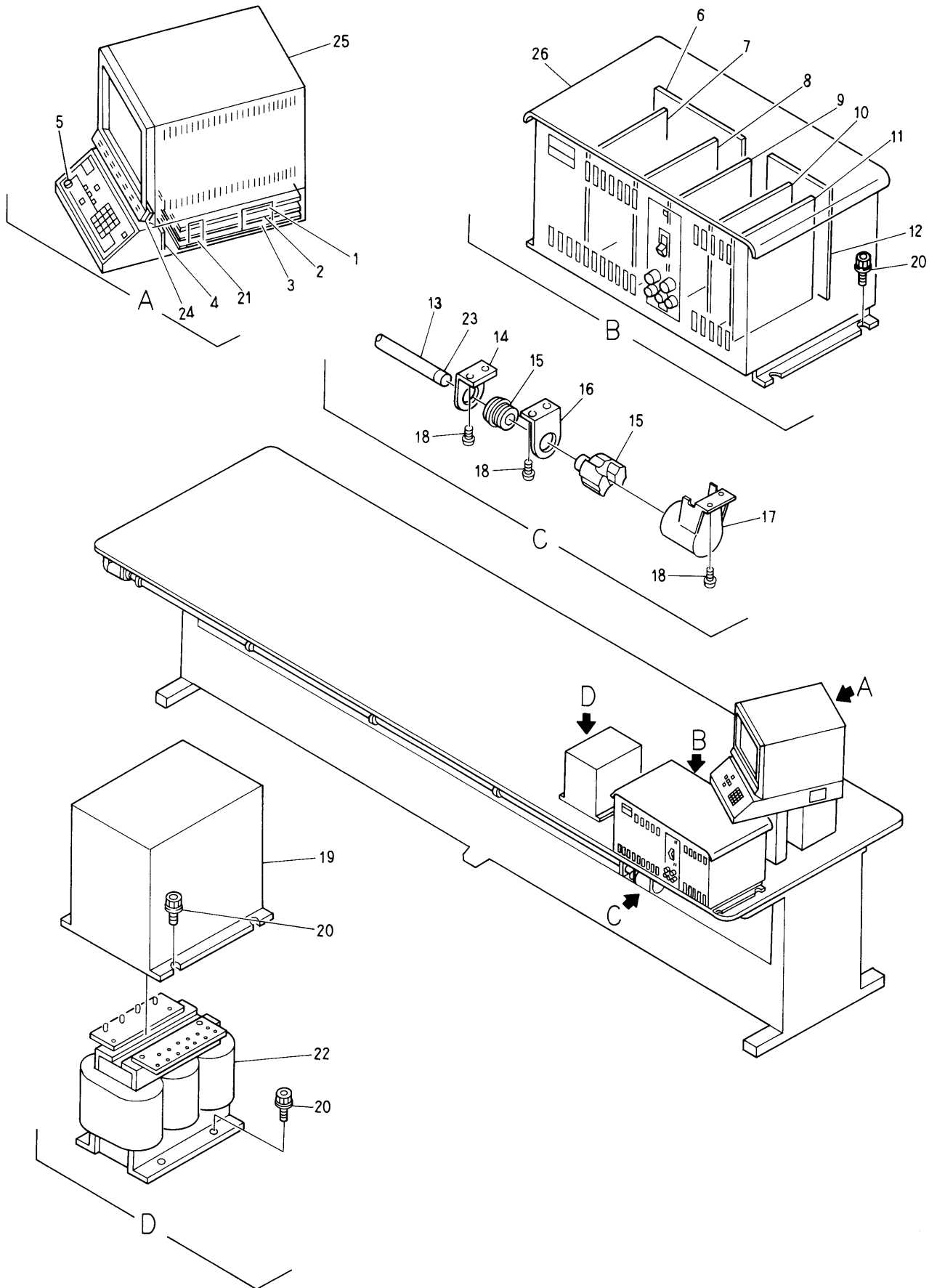


MODEL

BEMRME-YN
BEMSME-YN
BEMXME-YN

⑳ Pantograph drive mechanismVII (V-Direction, Rear)

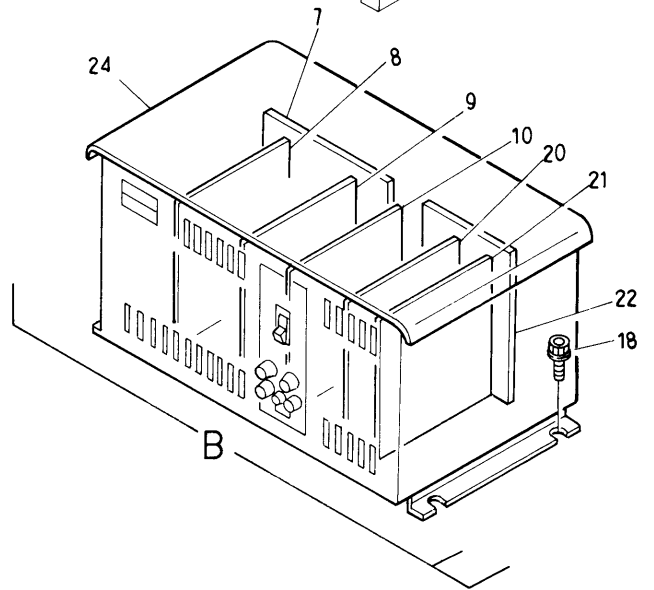
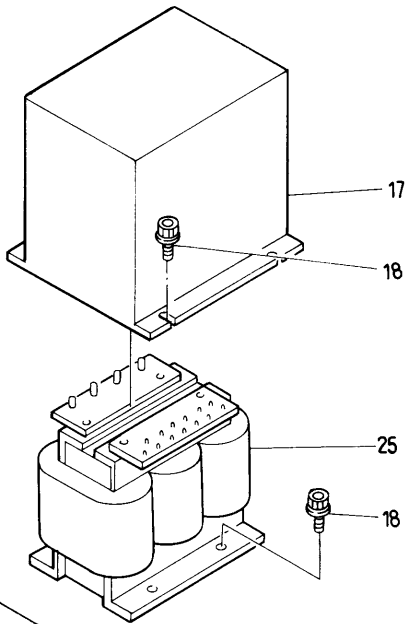
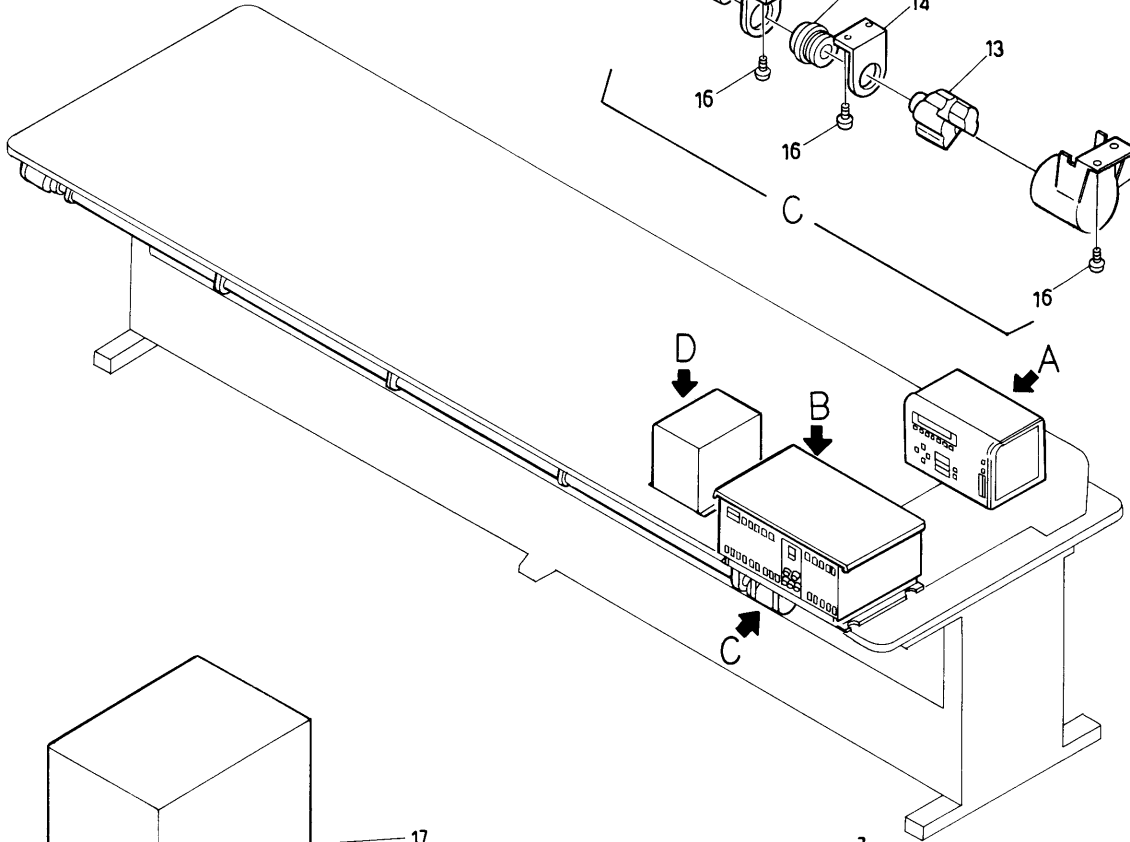
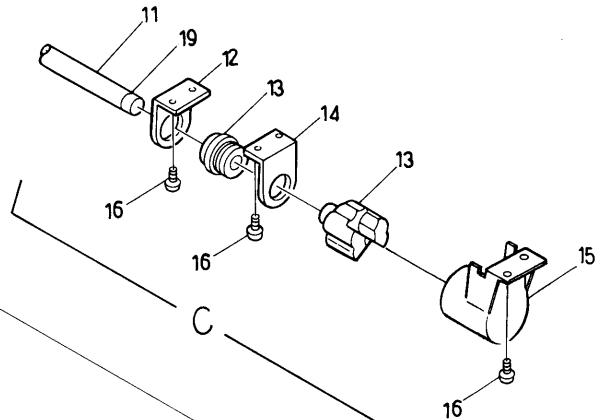
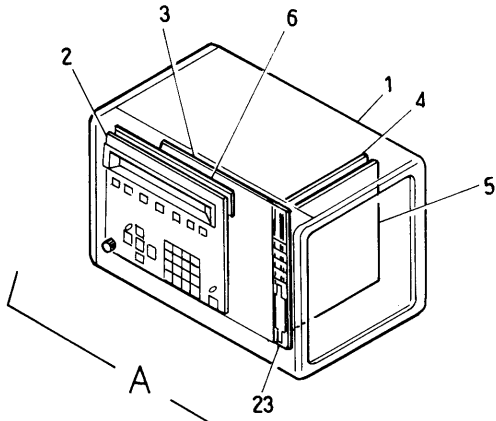
ITEM	LIST No.	DESCRIPTION	Q'TY	REMARK
1	KK480020	V-Guide rail base (Rear)	1	
2	KK310060	Control base unit	1	
3	KK310000	Bearing bracket	1	
4	KK310010	Clamping ϕ 19 with coupling	1	
5	KN490140	V-Timing belt shaft	1	
6	KK310050	V-Timing belt shaft	1	
7	KN490130	V-Timing belt shaft bearing housing	2	
8	HP482990	Pantograph driving pulley (Rear) (S5M)	2	
9	KN490121	Bearing bracket	1	
10	A9011110	Needle bearing HK2016	2	
11	HH481970	Pulse motor connecting shaft collar	2	
12	HH481900	Pulse motor (4M)	2	
13	KN470161	V-Pulse motor bracket	1	
14	KN490150	V-Pulse motor coupling	1	
15	HH481931	V-Pulse motor coupling	1	
16	A9020098	Timing belt (300S 5M2000)	1	
17	HP482940	Timing belt set rack (5M)	2	
18	KN483450	V-Guide rail (L=660)	2	
19	KN480061	Rail base felt (100×38×6)	2	
20	KN483420	V-Guide rail base (Stroke 480)	1	
21	KN482000	H-Guide front pulley bracket	1	
22	HH481991	Timing pulley shaft	1	
23	HH482110	Pulley shaft bolt cap	1	
24	HP482980	Pantograph driving pulley (Front) (S5M)	1	
25	A9012052	E-Ring (ϕ 10)	1	
26	HP482950	Roller pin a'ssy A	4	
27		Hex, nut M5		
28		Hex, socket bolt M3×6		
29		Hex, socket bolt M4×15		
30		Hex, bolt M4×25		
31		Hex, socket bolt M4×18		
32		Hex, nut M8		
33		Hex, socket bolt M8×20		
34		Hex, socket bolt M6×22		
35		Hex, socket bolt M5×28		
36		Hex, socket bolt M4×10		
37		Hex, socket bolt M5×12		
38		Hex, socket set M5×8		
39		Hex, nut M4		
40		Hex, bolt M4×35		
41		Hex, socket bolt M5×15		
42		Disc spring 6 for hex, socket bolt		
43		Hex, socket bolt M6×25 (With spring washer)		
44		Hex, socket bolt M8×25		



MODEL
BEMRME-YN
BEMSME-YN
BEMXME-YN

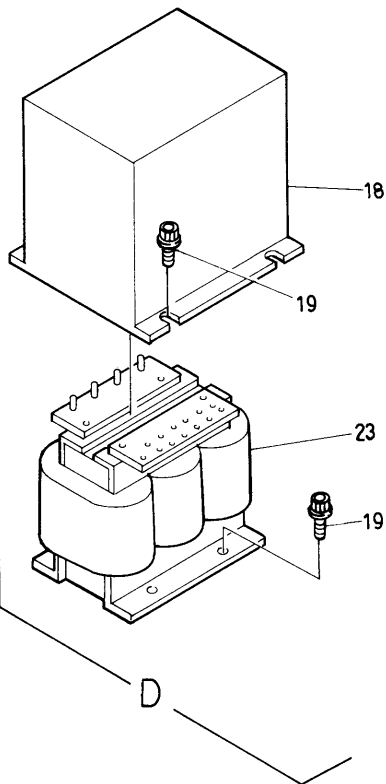
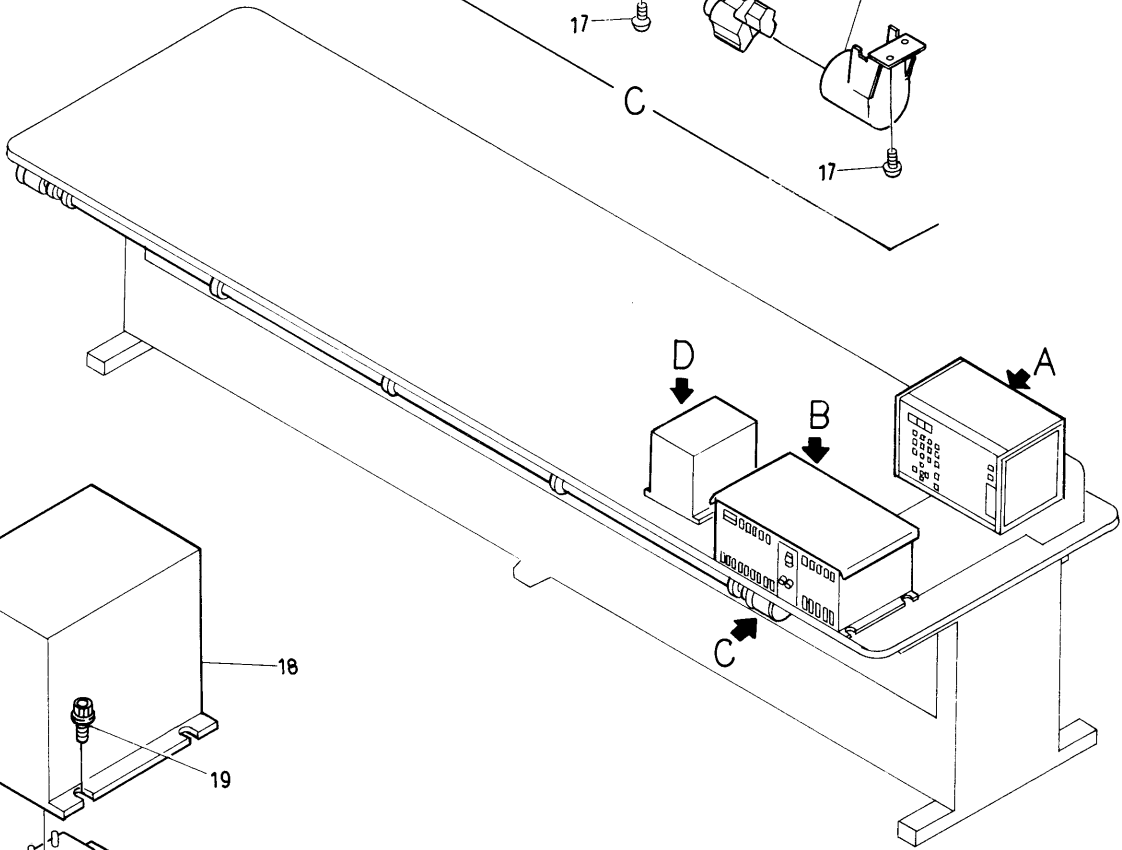
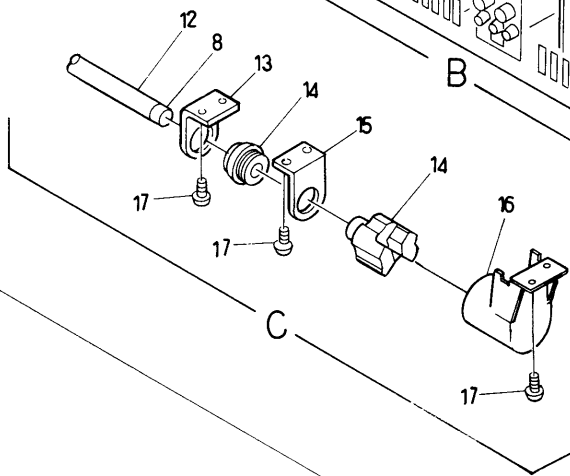
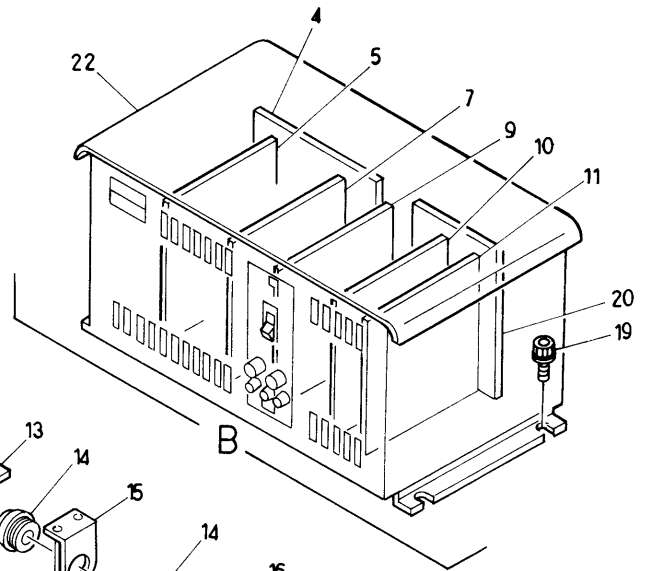
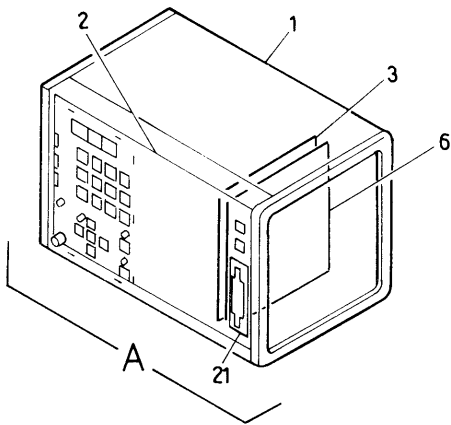
②1 Control system <BEMRME-YN>

ITEM	LIST No.	DESCRIPTION	Q'TY	REMARK
1	EBY00450	4410 CPU board	1	
2	EBY00460	4420 Memory board	1	
3	EBY00470	4430 FDSP board	1	
4	EBY00480	4440 B/B board	1	
5	EBY00490	4450 Buzzer board	1	
6	EBY00570	4590 B/B·L board	1	
7	EBY00540	4540 Pulse motor control board	1	
8	EBY00530	4530 Inver board	1	
9	EBY00550	4560 Power control board	1	
10	EBY00520	4520 Solenoid board	1	
11	EBY00510	4510 Interface board	1	
12	EBY00560	4580 B/B·R board	1	
13	KF530160	Bar switch	1	
14	KC530240	Bar switch bracket (S)	5	
15	KF530111	Push botton switch MS319 (Red)	1	
	KF530120	Push botton switch MS319 (Green)	1	
16	KC530230	Bar switch bracket (L)	2	
17	KF530151	Push botton switch cap	2	
18		Tapping screw M4×20		
19	KC520020	Transformer cover set	1	
20		Hex, socket flange bolt M6×12		
21	EBY00630	Floppy disk drive FD-1137C	1	
22	EAY022A3	Automat transformer (BEMRE) 1P	1	
	EAY021A3	Automat transformer (BEMRE) 3P	1	
23	KF530171	Bar switch cap	2	
24	EBY00500	4460 Switch board	1	
25	EAY017A1	Automat contoroler (BEMRE)	1	
26	EAY021A2	Automat driver (BEMRE)	1	



② Control system <BEMSME-YN>

ITEM	LIST No.	DESCRIPTION	Q'TY	REMARK
1	EAY021A3	Automat controller (BEMSE)	1	
2	EBY00990	7030 ON/OFF board	1	
3	EBY00970	7010 CPU board	1	
4	EBY00940	4920 Mempry board (17400 needle)	1	
5	EBY00950	4930 FD control board	1	
6	EBY00980	7020 Display/Switch board	1	
7	EBY00570	4590 B/B•L board	1	
8	EBY00540	4540 Pulse motor control board	1	
9	EBY00530	4530 Inverter board	1	
10	EBY00550	4560 Power control board	1	
11	KF530160	Bar switch	1	
12	KC530240	Bar switch bracket (S)	5	
13	KF530111	Push botton switch MS319 (Red)	1	
	KF530120	Push botton switch MS319 (Green)	1	
14	KC530230	Bar switch bracket (L)	2	
15	KF530151	Push botton switch cap	2	
16		Tapping screw M4×20		
17	KC520020	Transformer cover set	1	
18		Hex, socket flange bolt M6×12		
19	KF530171	Bar switch cap	2	
20	EBY00520	4520 Solenoid board	1	
21	EBY00510	4510 Interface board	1	
22	EBY00560	4580 B/B•R board	1	
23	EBY00630	Floppy disk drive FD-1137C	1	
24	EAY021A2	Automat driver (BEMSE)	1	
25	EAY021A3	Automat transformer (BEMSE) 3P	1	
	EAY022A3	Automat transformer (BEMSE) 1P	1	

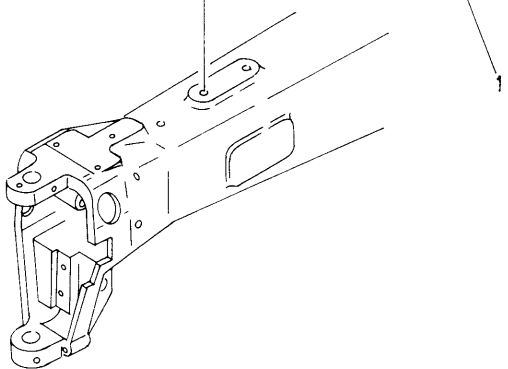
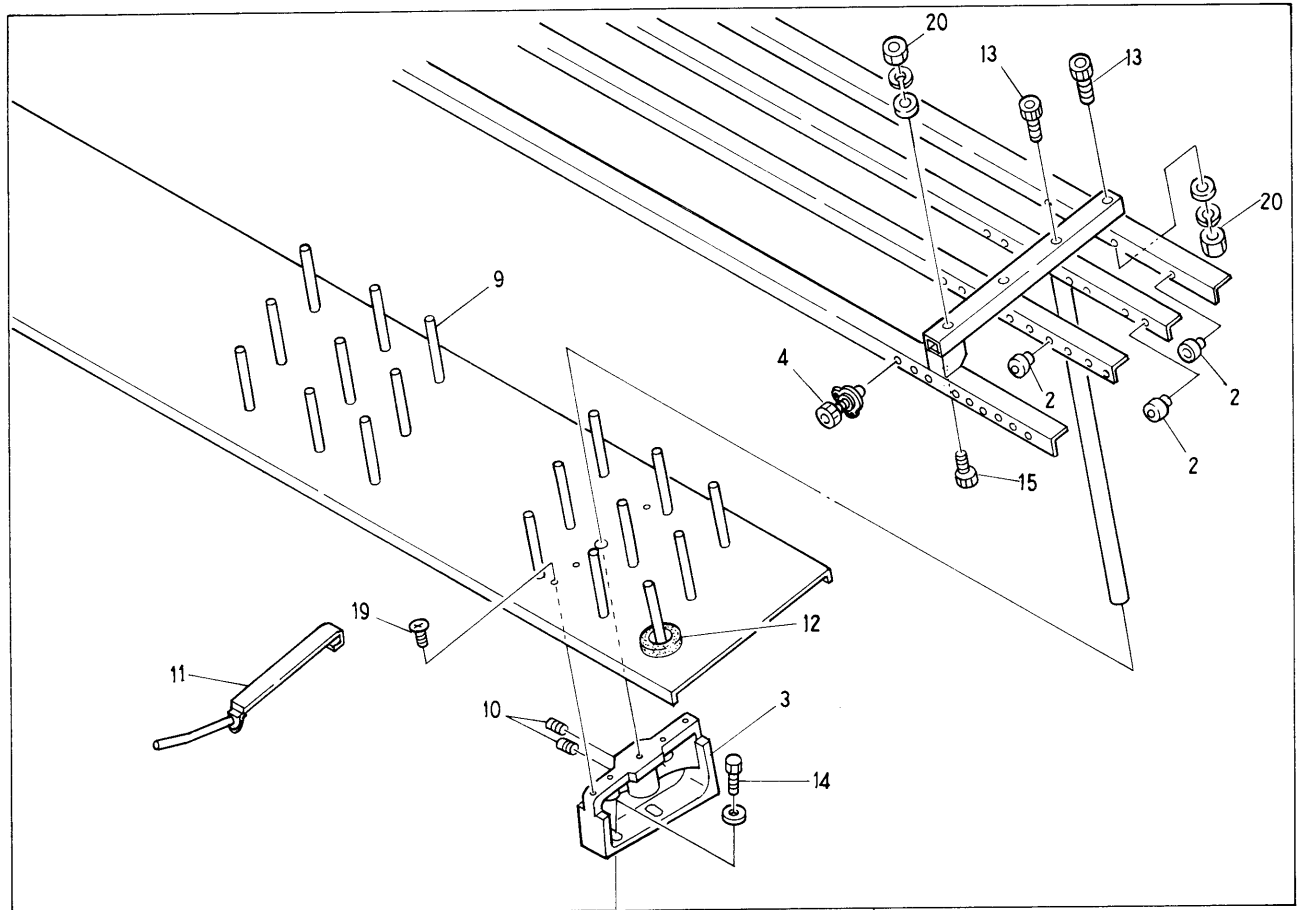
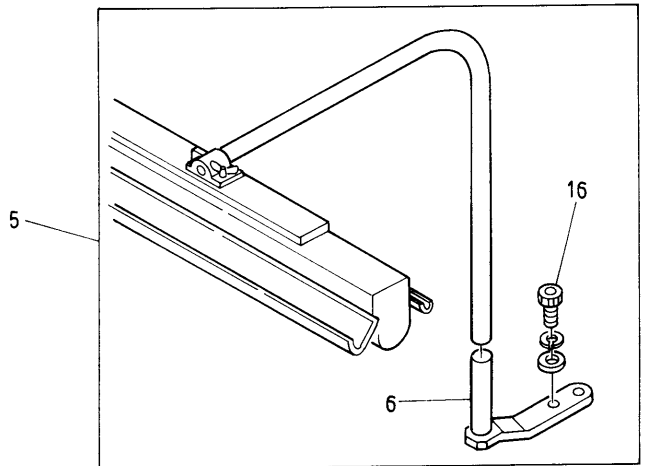
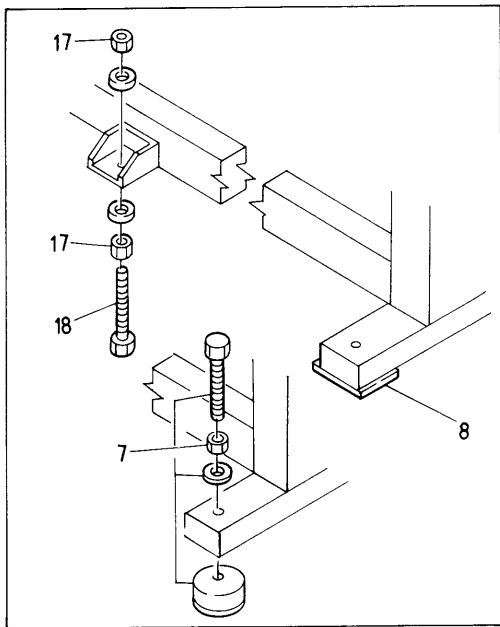


MODEL

BEMRME-YN
BEMSME-YN
BEMXME-YN

② Control system <BEMXME-YN>

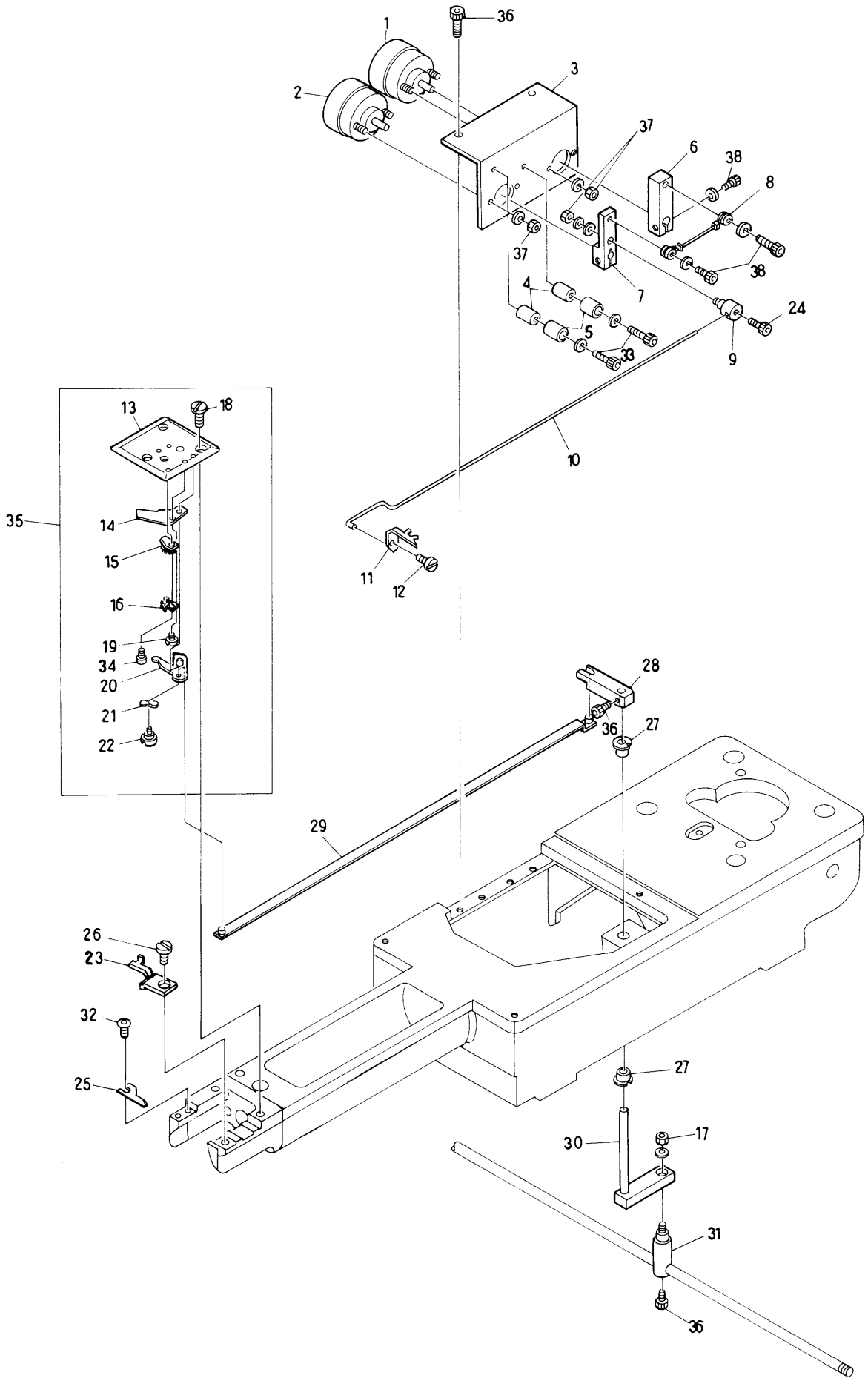
ITEM	LIST No.	DESCRIPTION	Q'TY	REMARK
1	EAY023A1	Automat controller (BEMXE)	1	
2	EBY00930	4910 CPU board	1	
3	EBY00940	4920 Memory board	1	
4	EBY00570	4590 B/B•L board	1	
5	EBY00540	4540 Pulse motor control board	1	
6	EBY00950	4930 FD Control board	1	
7	EBY00530	4530 Inverter board	2	
8	KF530171	Bar switch cap	1	
9	EBY00550	4560 Power control board	1	
10	EBY00520	4520 Solenoid board	1	
11	EBY00510	4510 Interface board	1	
12	KF530160	Bar switch	1	
13	KC530240	Bar switch bracket (S)	5	
14	KF530111	Push botton switch MS319 (Red)	1	
	KF530120	Push botton switch MS319 (Green)	1	
15	KC530230	Bar switch bracket (L)	2	
16	KF530151	Push botton switch cap	2	
17		Tapping screw M4×20		
18	KC520020	Transformer cover set	1	
19		Hex, socket flange bolt M6×12		
20	EBY00560	4580 B/B•R board	1	
21	EBY00630	Floppy disk drive FD-1137C	1	
22	EBY021A2	Automat driver (BEMXE)	1	
23	EAY021A3	Automat transformer (BEMXE) 3P	1	
	EAY022A3	Automat transformer (BEMXE) 1P	1	



MODEL
BEMRME-YN
BEMSME-YN
BEMXME-YN

Barudan

②③ Automatic thread cutting mechanism I
(Thread cutting section)

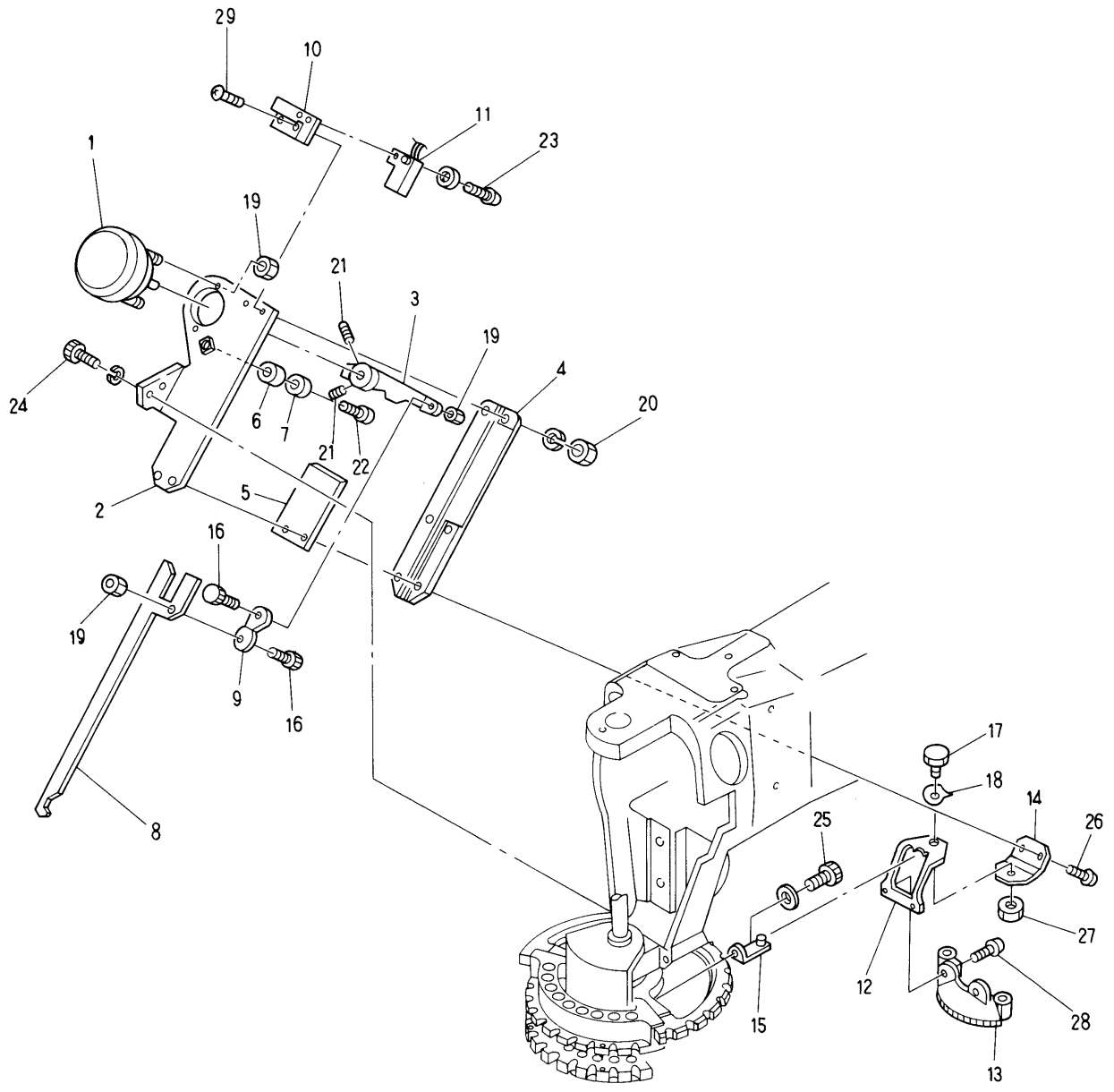


MODEL
BEMRME-YN
BEMSME-YN
BEMXME-YN

②③ Automatic thread cutting mechanism I (Thread cutting section)

(H=Head Q' TY)

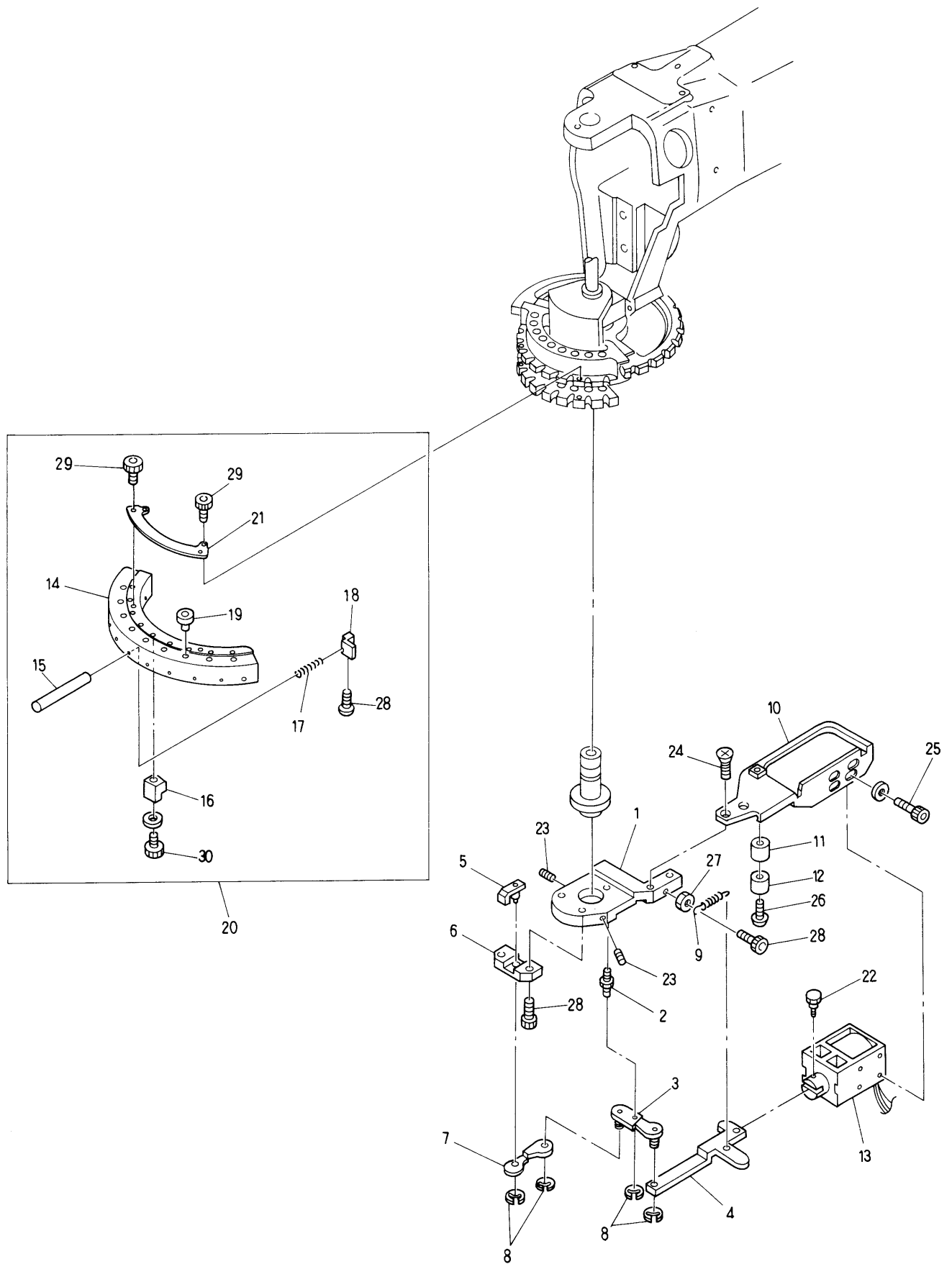
ITEM	LIST No	DESCRIPTION	Q' TY	REMARK
1	A9056012	Rotary solenoid (3 EL25 33×3×8×9)	H×1	
2	A9056008	Rotary solenoid (3 ER25 33×3×8×9)	H×1	
3	KC271960	Solenoid stay	H×1	
4	KN272400	Stopper eccentric	H×2	
5		Hex. socket bolt M4×10		
6	KC271950	Solenoid lever B	H×1	
7	KC271940	Solenoid lever A	H×1	
8	KC270360	Driving rope	H×1	
9	KC271041	Connecting clamp	H×1	
10	KC271031	Hook driving rod	H×1	
11	KC271021	Hook	H×1	
12	KC271001	Needle knife turret shaft	H×1	
13	KL270380	Throat plate	H×1	
14	KC270960	Fixed knife	H×1	
15	KN271220	Lower thread support stay (Upper) CMP	H×1	
16	KN271190	Lower thread support stay (Upper) CMP	H×1	
17		Hex. nut M4		
18		Screw M3×3		
19	KC270980	Fixed knife set screw	H×1	
20	KC270950	Lower thread cutting knife	H×1	
21	A9013045	Wave washer (WW5)	H×1	
22	KC270970	Lower thread knife turret shaft 8 haft	H×1	
23	KC220642	Rotating hook bobbin case holder position bracket	H×1	
24		Hex. socket bolt M3×5		
25	KB270020	Upper thread knife	H×1	
26	A9012007	Screw	H×1	
27	A9012114	DU Bush (MB0505-10FDU)	H×2	
28	KC271120	Lower thread knife driving lever (Upper)	H×1	
29	KC271070	Lower thread knife driving rod	H×1	
30	KC271130	Lower thread knife driving lever (Lower)	H×1	
31	KF230640	Lock connecting bar clamp	H×1	
32		Hex. socket button bolt M3×6		
33		Hex. socket bolt M4×18		
34		Pan screw M3×3		
35	KL270390	Throat plate a'ssy	H×1	
36		Hex. socket bolt M4×8		
37		Hex. nut M3		



②④ Automatic thread cutting mechanism II (Thread away section)

(H=Head Q'TY)

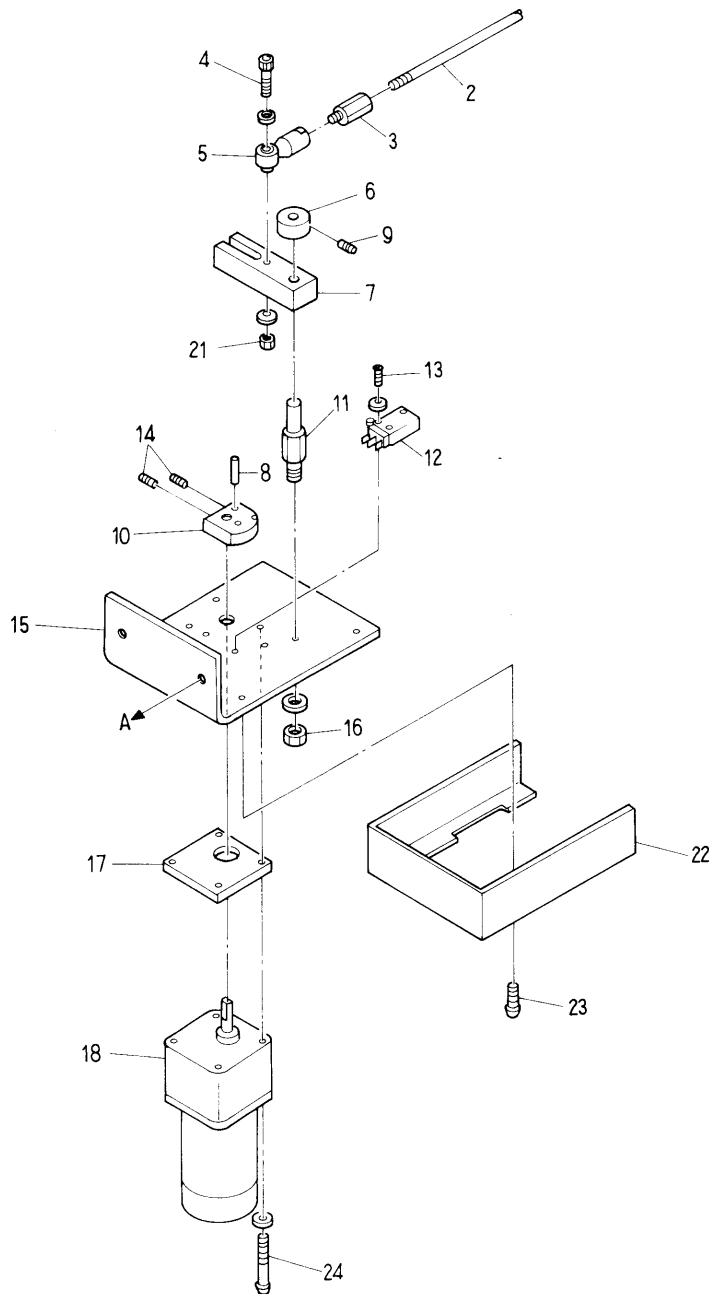
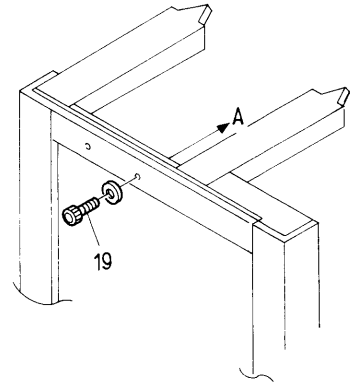
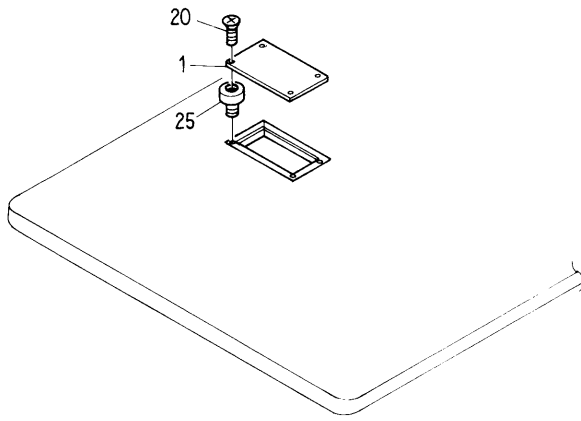
ITEM	LIST No.	DESCRIPTION	Q'TY	REMARK
1	A 9 0 5 6 0 1 8	Rotary solenoid (4 ER67.5-34×8×9) Orange	H×1	
2	KL 2 7 0 0 8 1	Thread away base	H×1	
3	KL 2 7 0 1 1 0	Thread away solenoid lever	H×1	
4	KL 2 7 0 0 9 1	Thread away hook guide	H×1	
5	KL 2 7 0 4 5 0	Hook guide plate	H×1	
6	KL 2 7 0 1 5 0	Eccentric cover	H×1	
7	KL 2 7 0 1 4 0	Stopper eccentric	H×1	
8	KL 2 7 0 1 0 1	Thread away hook	H×1	
9	KL 2 7 0 1 2 0	Connecting plate	H×1	
10	KL 2 7 0 2 6 0	Switch stay	H×1	
11	A 9 0 5 2 0 2 8	Proximity switch (RS-603)	H×1	
12	KL 2 7 0 4 3 0	Thread hanger plate fixing stay	H×1	
13	KL 2 7 0 4 0 0	Thread hanger plate CMP	H×1	
14	KL 2 7 0 4 4 0	Rotary shaft fixing stay	H×1	
15	KL 2 7 0 4 2 0	Thread hanger driving pin	H×1	
16	KL 2 7 0 1 3 0	Lever connecting pin	H×2	
17	KL 2 7 0 4 1 0	Thread hanger plate rotary shaft	H×1	
18	A 9 0 1 3 0 4 5	Wave washer (WW5)	H×1	
19		Hex, nut M4		
20		Hex, nut M3		
21		Hex, socket set screw M4×8		
22		Truss screw M4×16		
23		Truss screw M3×6		
24		Hex, socket bolt M4×12		
25		Hex, socket bolt M3×8		
26		Truss screw M3×7		
27		Hex, nut M3		
28		Truss screw M3×4		



MODEL
BEMRME-YN
BEMSME-YN
BEMXME-YN

Barudan

②⑥ Automatic thread cutting mechanism IV
(Drive mechanism)



MODEL

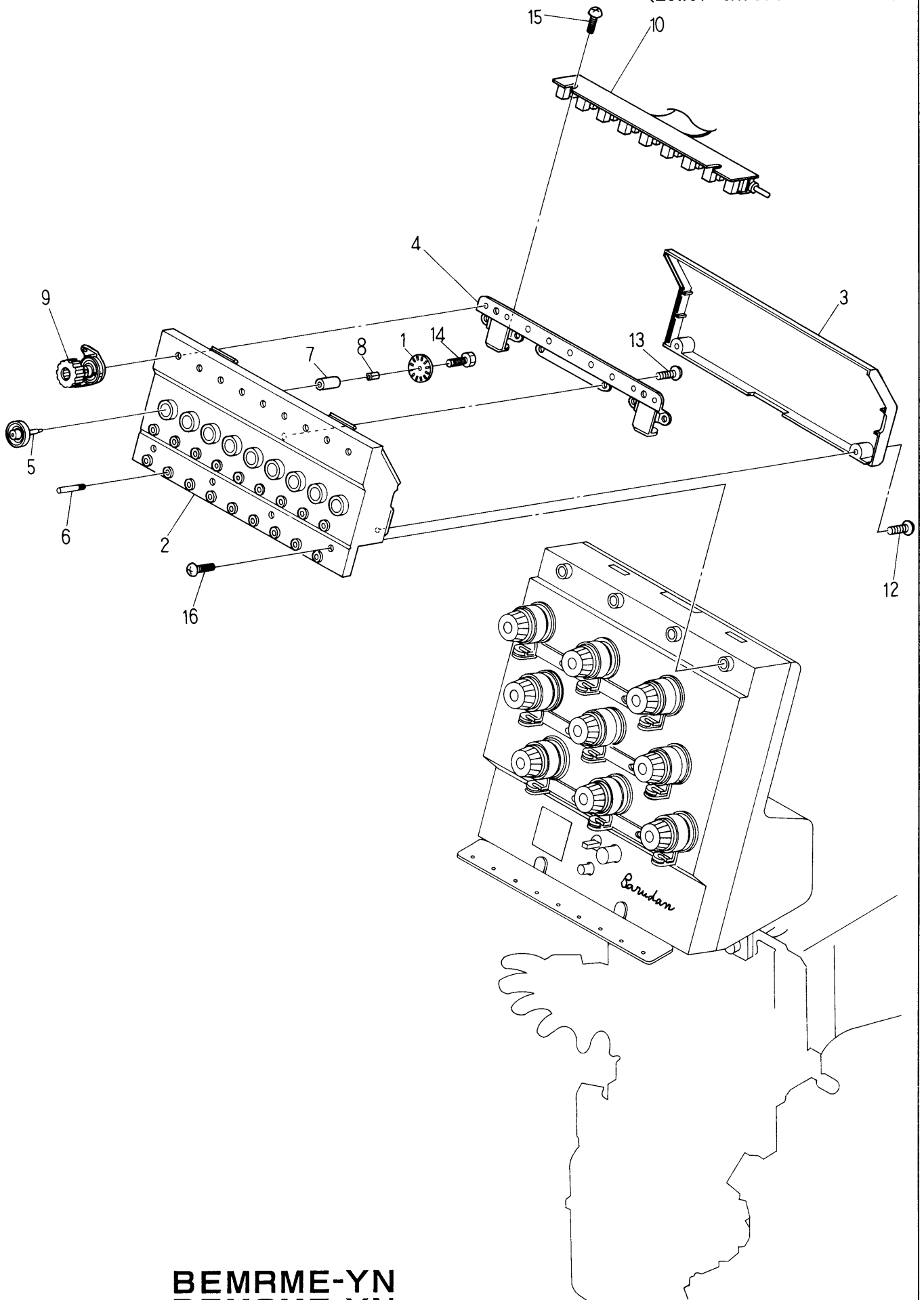
BEMRME-YN
BEMSME-YN
BEMXME-YN

㊿ Automatic thread cutting mechanismIV (Drive mechanism)

ITEM	LIST No.	DESCRIPTION	Q'TY	REMARK
1	KC 2 7 1 4 4 0	Drive service cover	1	
2	KC 3 3 0 4 1 0	Look connecting rod	2	
3	KC 3 3 0 5 1 0	Hex, connecting bar (L)	1	
4		Hex, socket bolt M6×20		
5	A 9 0 1 2 0 0 2	Uniball joint PR-6	1	
6	KC 3 3 0 1 8 0	Collar φ10	1	
7	KC 2 7 1 1 4 0	Motor lever	1	
8	KN 2 7 2 3 5 0	Drive pin	1	
9		Hex, socket screw M5×6		
10	KC 2 7 1 1 7 2	Drive cam	1	
11	KC 2 7 1 1 5 1	Motor lever turret shaft	1	
12	A 9 0 5 2 0 0 5	Micro switch V-01L 2255	1	
13		Truss screw M3×15, M3×20		
14		Hex, socket set screw M5×8		
15	KC 2 7 1 1 6 2	Motor bracket	1	
16		Hex, nut M8		
17	KC 2 7 1 4 3 0	Motor spacer	1	
18	A 9 0 6 5 0 2 6	Reversible motor RM H6A 8PEAA(6RH D36)	1	
19		Hex, socket bolt M8×30		
20		Screw M4×8 (Under cut)		
21		Hex, nut M6		
22	KN 2 7 1 7 1 2	Motor bracket cover	1	
23		Truss screw M3×6		
24		Pan screw M5×65		
25		Nut (C) M4	4	

Barudan

⑳ Thread guide mechanism
(Lower thread sensorium)



MODEL

BEMRME-YN
BEMSME-YN
BEMXME-YN

I N D E X

LIST No.	PAGE No.	ITEM	LIST No.	PAGE No.	ITEM
1AKK123804801	3	2	A 9 0 1 2 2 3 1	7	8
1BKK123804800	3	1	A 9 0 1 2 2 5 0	7	6
1FKK123804800	2 9	1	A 9 0 1 2 2 5 5	7	1 1
1 H P 1 2 3 0 0	4 9	1	A 9 0 1 2 2 5 9	3	1 4
1KKK123804800	3	3	A 9 0 1 2 2 6 3	3 3	8
1PKD12380480BA	9	2 7	A 9 0 1 2 2 6 4	3 1	2 7
1WKK123804800	2 9	2	A 9 0 1 2 2 6 6	5	8
A 9 0 1 0 0 1 7	9	5	A 9 0 1 2 2 9 1	1 5	1 7
A 9 0 1 0 0 3 6	3 1	1 7	A 9 0 1 3 0 4 5	5 1	2 1
A 9 0 1 1 0 1 7	2 7	4	A 9 0 1 3 0 4 5	5 3	1 8
A 9 0 1 1 0 2 1	1 3	7	A 9 0 1 4 0 5 1	1 9	1 9
A 9 0 1 1 0 2 1	1 5	2 1	A 9 0 1 4 0 5 5	1 5	1 9
A 9 0 1 1 0 2 1	1 5	2 1	A 9 0 1 4 0 6 3	9	3 8
A 9 0 1 1 0 2 2	1 5	2 3	A 9 0 2 0 0 9 8	3 5	2 0
A 9 0 1 1 0 2 3	1 5	2 0	A 9 0 2 0 0 9 8	3 7	2 0
A 9 0 1 1 1 0 7	7	7	A 9 0 2 0 0 9 8	3 9	1 4
A 9 0 1 1 1 1 0	3 5	9	A 9 0 2 0 0 9 8	4 1	1 6
A 9 0 1 1 1 1 0	3 7	9	A 9 0 2 0 2 0 0	2 7	1 6
A 9 0 1 1 1 1 0	4 1	1 0	A 9 0 5 2 0 0 5	5 7	1 2
A 9 0 1 1 1 1 5	1 7	9	A 9 0 5 2 0 2 4	3 7	1 5
A 9 0 1 1 1 3 1	3 1	2 3	A 9 0 5 2 0 2 4	3 9	3 4
A 9 0 1 1 1 3 2	3 1	2 5	A 9 0 5 2 0 2 8	5 3	1 1
A 9 0 1 1 1 5 2	1 3	6	A 9 0 5 2 0 3 0	3 7	2 5
A 9 0 1 2 0 0 1	2 3	1 3	A 9 0 5 2 0 3 0	3 9	2 0
A 9 0 1 2 0 0 2	2 5	8	A 9 0 5 2 0 3 1	3 7	1 6
A 9 0 1 2 0 0 2	5 7	5	A 9 0 5 2 0 3 1	3 9	1 2
A 9 0 1 2 0 0 7	9	3 4	A 9 0 5 6 0 0 8	5 1	2
A 9 0 1 2 0 0 7	1 1	2 3	A 9 0 5 6 0 1 2	5 1	1
A 9 0 1 2 0 0 7	5 1	2 6	A 9 0 5 6 0 1 3	5 5	1 3
A 9 0 1 2 0 2 7	1 1	1 6	A 9 0 5 6 0 1 8	5 3	1
A 9 0 1 2 0 5 1	1 9	2 0	A 9 0 5 6 0 2 0	1 9	6
A 9 0 1 2 0 5 2	3 5	6	A 9 0 6 5 0 2 6	5 7	1 8
A 9 0 1 2 0 5 2	3 7	6	A 9 0 6 5 0 3 5	2 3	2 7
A 9 0 1 2 0 5 2	3 9	1 0	E A Y 0 1 7 A 1	4 3	2 5
A 9 0 1 2 0 5 2	4 1	2 5	E A Y 0 2 1 A 2	4 3	2 6
A 9 0 1 2 0 5 3	1 5	3 1	E A Y 0 2 1 A 2	4 5	2 4
A 9 0 1 2 0 5 6	5 5	8	E A Y 0 2 1 A 3	4 3	2 2
A 9 0 1 2 0 6 4	3 1	2 2	E A Y 0 2 1 A 3	4 5	1
A 9 0 1 2 1 1 4	5 1	2 7	E A Y 0 2 1 A 3	4 5	2 5
A 9 0 1 2 1 3 7	2 5	7	E A Y 0 2 1 A 3	4 7	2 3
A 9 0 1 2 1 4 3	2 5	5	E A Y 0 2 2 A 3	4 3	2 2
A 9 0 1 2 1 6 4	1 3	2 9	E A Y 0 2 2 A 3	4 5	2 5
A 9 0 1 2 1 6 4	3 1	2 4	E A Y 0 2 2 A 3	4 7	2 3
A 9 0 1 2 1 9 0	1 7	4	E A Y 0 2 3 A 1	4 7	1
A 9 0 1 2 2 0 8	2 3	2 0	E B Y 0 0 4 5 0	4 3	1

I N D E X

L I S T	No.	P A G E No.	I T E M	L I S T	No.	P A G E No.	I T E M
E B Y 0 0 4 6 0		4 3	2	H B 2 3 0 1 7 0		1 5	2 4
E B Y 0 0 4 7 0		4 3	3	H B 2 3 0 2 7 0		1 3	2 1
E B Y 0 0 4 8 0		4 3	4	H B 2 3 0 2 9 1		1 3	4
E B Y 0 0 4 9 0		4 3	5	H B 2 3 0 3 7 2		1 7	1 0
E B Y 0 0 5 0 0		4 3	2 4	H B 2 3 0 3 8 3		1 7	5
E B Y 0 0 5 1 0		4 3	1 1	H B 2 3 0 3 9 0		1 7	3
E B Y 0 0 5 1 0		4 5	2 1	H B 2 3 0 4 0 1		1 7	1
E B Y 0 0 5 1 0		4 7	1 1	H B 2 3 0 4 1 4		1 7	1 2
E B Y 0 0 5 2 0		4 3	1 0	H B 2 3 0 4 2 0		1 7	1 1
E B Y 0 0 5 2 0		4 5	2 0	H B 2 3 0 4 6 0		1 9	5
E B Y 0 0 5 2 0		4 7	1 0	H B 2 3 0 4 7 0		1 9	4
E B Y 0 0 5 3 0		4 3	8	H B 2 3 0 5 6 0		1 9	7
E B Y 0 0 5 3 0		4 5	9	H B 2 3 0 5 8 0		1 9	1 3
E B Y 0 0 5 3 0		4 7	7	H B 2 3 0 5 9 0		1 7	2
E B Y 0 0 5 4 0		4 3	7	H B 2 3 0 6 5 0		1 3	3 5
E B Y 0 0 5 4 0		4 5	8	H B 2 3 0 7 5 0		1 3	2 2
E B Y 0 0 5 4 0		4 7	5	H B 2 4 0 0 2 0		1 9	1 4
E B Y 0 0 5 5 0		4 3	9	H B 2 4 0 0 3 0		1 9	1 5
E B Y 0 0 5 5 0		4 5	1 0	H B 2 4 0 0 4 0		1 9	9
E B Y 0 0 5 5 0		4 7	9	H B 2 4 0 0 5 0		1 9	1 0
E B Y 0 0 5 6 0		4 3	1 2	H B 2 4 0 0 7 0		1 9	1 8
E B Y 0 0 5 6 0		4 5	2 2	H B 2 4 0 0 8 0		1 9	2 2
E B Y 0 0 5 6 0		4 7	2 0	H B 2 4 0 0 9 0		1 9	2 1
E B Y 0 0 5 7 0		4 3	6	H B 2 4 0 1 1 0		1 9	1 7
E B Y 0 0 5 7 0		4 5	7	H B 2 4 0 3 1 0		1 9	8
E B Y 0 0 5 7 0		4 7	4	H B 2 4 0 3 3 0		1 9	1 2
E B Y 0 0 6 3 0		4 3	2 1	H B 2 4 0 3 4 0		1 9	1 1
E B Y 0 0 6 3 0		4 5	2 3	H H 1 2 0 9 0 0		4 9	7
E B Y 0 0 6 3 0		4 7	2 1	H H 3 2 0 5 5 0		2 7	2 7
E B Y 0 0 9 3 0		4 7	2	H H 4 8 1 9 0 0		3 5	1 5
E B Y 0 0 9 4 0		4 5	4	H H 4 8 1 9 0 0		4 1	1 2
E B Y 0 0 9 4 0		4 7	3	H H 4 8 1 9 3 1		3 5	1 6
E B Y 0 0 9 5 0		4 5	5	H H 4 8 1 9 3 1		4 1	1 5
E B Y 0 0 9 5 0		4 7	6	H H 4 8 1 9 7 0		3 5	1 2
E B Y 0 0 9 7 0		4 5	3	H H 4 8 1 9 7 0		3 7	1 2
E B Y 0 0 9 8 0		4 5	6	H H 4 8 1 9 7 0		4 1	1 1
E B Y 0 0 9 9 0		4 5	2	H H 4 8 1 9 8 0		3 5	1 1
E B Y 0 1 1 0 0		2 1	1 2	H H 4 8 1 9 8 0		3 7	1 1
E B Y 0 1 1 2 0		2 3	6	H H 4 8 1 9 9 1		3 5	3
E B Y 0 2 1 A 2		4 7	2 2	H H 4 8 1 9 9 1		3 7	3
F R 6 0 0 5 2 8		3 1	2	H H 4 8 1 9 9 1		3 9	7
F R 6 0 0 5 2 9		3 1	3	H H 4 8 1 9 9 1		4 1	2 2
F R 9 2 3 0 0 2 9 0 A		3 1	1	H H 4 8 2 1 1 0		3 5	4
H B 2 3 0 1 4 0		1 5	2 2	H H 4 8 2 1 1 0		3 7	4
H B 2 3 0 1 6 0		1 3	2 0	H H 4 8 2 1 1 0		3 9	8

I N D E X

LIST	No.	PAGE No.	ITEM	LIST	No.	PAGE No.	ITEM
HH 4 8 2 1 1 0		4 1	2 3	HT 2 4 0 0 6 0		2 1	1 0
HP 2 3 1 3 9 0		9	1 3	HT 2 4 0 1 0 0		5 9	1
HP 2 4 1 4 3 0		4 9	4	HT 2 4 0 1 2 0		2 1	1
HP 4 8 2 9 4 0		3 5	2 1	HT 2 4 0 1 3 0		2 1	2
HP 4 8 2 9 4 0		3 7	2 1	HT 2 4 0 1 4 0		2 1	3
HP 4 8 2 9 4 0		3 9	5	HT 2 4 0 1 5 0		2 1	4
HP 4 8 2 9 4 0		4 1	1 7	HT 2 4 0 1 6 0		2 1	5
HP 4 8 2 9 5 0		3 3	9	HT 2 4 0 1 7 0		2 1	6
HP 4 8 2 9 5 0		3 5	2 3	HT 2 4 0 1 8 0		2 1	7
HP 4 8 2 9 5 0		3 7	2 3	HT 2 4 0 2 1 0		2 1	1 5
HP 4 8 2 9 5 0		3 9	1 6	HT 2 4 0 2 2 0		2 1	1 6
HP 4 8 2 9 5 0		4 1	2 6	HT 2 4 0 2 3 0		2 1	1 7
HP 4 8 2 9 8 0		3 5	5	HT 2 4 0 2 4 0		2 1	1 8
HP 4 8 2 9 8 0		3 7	5	HT 2 4 0 2 5 0		5 9	2
HP 4 8 2 9 8 0		3 9	9	HT 2 4 0 2 7 0		5 9	3
HP 4 8 2 9 8 0		4 1	2 4	HT 2 4 0 2 8 0		5 9	4
HP 4 8 2 9 9 0		3 5	1 0	HT 2 4 0 2 9 0		5 9	5
HP 4 8 2 9 9 0		3 7	1 0	HT 2 4 0 3 0 0		5 9	6
HP 4 8 2 9 9 0		4 1	8	HT 2 4 0 3 1 0		5 9	7
HP 4 8 3 1 1 1		3 9	1 7	HT 2 4 0 3 2 0		2 1	1 4
HP 4 8 3 3 7 0		3 9	1 8	HT 2 4 0 3 3 0		2 1	1 9
HP 7 1 0 7 9 0		4 9	3	HT 2 4 0 3 4 0		5 9	9
HS 4 6 0 0 3 0		3 1	5	HT 2 7 0 0 0 0		5 5	1 4
HS 4 6 0 0 5 0		3 1	6	HT 2 7 0 0 1 0		5 5	2 1
HS 4 6 0 2 0 0		3 1	4	HT 2 7 0 0 2 0		5 5	1 8
HS 4 6 0 2 1 0		3 1	7	HT 2 7 0 0 3 0		5 5	2 0
HS 7 3 0 0 0 0		3 1	1 0	HT 2 7 0 0 6 1		5 5	2 8
HT 2 3 0 0 0 0		1 5	1 8	KB 2 1 0 1 6 0		9	2 5
HT 2 3 0 0 4 1		1 5	7	KB 2 1 0 1 7 0		1 9	1
HT 2 3 0 0 5 1		1 5	5	KB 2 3 0 0 1 0		9	2 8
HT 2 3 0 0 6 1		1 5	1 6	KB 2 3 0 0 3 0		9	3 1
HT 2 3 0 0 8 0		1 3	1 5	KB 2 3 0 0 5 0		9	3 3
HT 2 3 0 0 9 0		1 3	1 1	KB 2 3 0 0 6 0		1 7	8
HT 2 3 0 1 0 0		1 3	1 2	KB 2 3 0 0 7 0		1 7	7
HT 2 3 0 1 1 0		1 5	1 5	KB 2 3 0 0 8 0		1 7	6
HT 2 3 0 1 3 0		1 5	3	KB 2 3 0 0 9 0		1 3	5
HT 2 3 0 1 4 1		1 5	9	KB 2 3 0 1 0 0		1 3	8
HT 2 3 0 1 5 1		1 5	4	KB 2 3 0 1 1 0		1 3	9
HT 2 3 0 1 8 0		1 5	2 8	KB 2 3 0 1 6 1		1 3	1
HT 2 3 0 1 9 0		1 5	2	KB 2 3 0 1 7 0		1 9	3
HT 2 3 0 2 0 1		1 7	2 1	KB 2 4 0 0 1 0		1 3	1 4
HT 2 3 0 2 5 0		1 5	8	KB 2 4 0 0 2 1		1 3	3
HT 2 4 0 0 0 0		1 3	2	KB 2 4 0 0 3 0		1 9	2
HT 2 4 0 0 1 0		1 3	1 8	KB 2 4 0 0 4 0		1 9	1 6
HT 2 4 0 0 2 0		2 1	9	KB 2 4 0 0 5 1		2 1	1 3

I N D E X

LIST	No.	PAGE No.	ITEM	LIST	No.	PAGE No.	ITEM
KB 2 5 0 0 2 0		2 1	2 1	KC 3 3 0 1 8 0		2 3	1 0
KB 2 5 0 0 3 0		2 1	2 2	KC 3 3 0 1 8 0		5 7	6
KB 2 5 0 0 4 0		2 1	2 3	KC 3 3 0 1 9 0		2 3	8
KB 2 5 0 0 5 0		2 1	2 5	KC 3 3 0 2 1 0		2 3	2 5
KB 2 5 0 0 6 0		2 1	2 6	KC 3 3 0 2 3 0		2 5	6
KB 2 7 0 0 2 0		5 1	2 5	KC 3 3 0 2 6 0		2 5	1 2
KC 1 1 0 9 1 0		3	9	KC 3 3 0 2 8 0		2 3	2
KC 1 1 0 9 7 0		4 9	8	KC 3 3 0 2 9 0		2 5	3
KC 2 2 0 2 1 0		1 1	1 9	KC 3 3 0 4 1 0		1 5	2 5
KC 2 2 0 6 4 2		5 1	2 3	KC 3 3 0 4 1 0		1 7	1 8
KC 2 2 0 6 5 0		1 1	1 5	KC 3 3 0 4 1 0		5 7	2
KC 2 5 0 4 7 1		1 1	1 7	KC 3 3 0 5 1 0		2 5	9
KC 2 5 0 4 8 2		1 1	1 8	KC 3 3 0 5 1 0		5 7	3
KC 2 5 1 3 3 0		9	4 2	KC 3 3 0 6 1 0		2 3	2 1
KC 2 7 0 1 0 1		5 5	2 2	KC 3 3 0 8 5 0		2 5	1 1
KC 2 7 0 2 7 1		5 5	1 7	KC 3 3 0 9 1 0		2 5	1 6
KC 2 7 0 2 9 2		5 5	1 6	KC 5 2 0 0 2 0		4 3	1 9
KC 2 7 0 3 6 0		5 1	8	KC 5 2 0 0 2 0		4 5	1 7
KC 2 7 0 9 5 0		5 1	2 0	KC 5 2 0 0 2 0		4 7	1 8
KC 2 7 0 9 6 0		5 1	1 4	KC 5 3 0 2 3 0		4 3	1 6
KC 2 7 0 9 7 0		5 1	2 2	KC 5 3 0 2 3 0		4 5	1 4
KC 2 7 0 9 8 0		5 1	1 9	KC 5 3 0 2 3 0		4 7	1 5
KC 2 7 1 0 0 1		5 1	1 2	KC 5 3 0 2 4 0		4 3	1 4
KC 2 7 1 0 2 1		5 1	1 1	KC 5 3 0 2 4 0		4 5	1 2
KC 2 7 1 0 3 1		5 1	1 0	KC 5 3 0 2 4 0		4 7	1 3
KC 2 7 1 0 4 1		5 1	9	KF 2 2 0 1 3 0		9	1 1
KC 2 7 1 0 7 0		5 1	2 9	KF 2 2 0 2 3 0		1 1	1 0
KC 2 7 1 1 2 0		5 1	2 8	KF 2 2 0 2 7 1		1 1	4
KC 2 7 1 1 3 0		5 1	3 0	KF 2 2 0 2 9 0		1 1	1 1
KC 2 7 1 1 4 0		5 7	7	KF 2 2 0 4 1 0		1 1	8
KC 2 7 1 1 5 1		5 7	1 1	KF 2 2 0 4 4 0		1 1	7
KC 2 7 1 1 6 2		5 7	1 5	KF 2 2 0 4 6 0		9	1 9
KC 2 7 1 1 7 2		5 7	1 0	KF 2 2 0 4 7 0		1 1	1
KC 2 7 1 4 3 0		5 7	1 7	KF 2 2 0 4 8 0		1 1	1 3
KC 2 7 1 4 4 0		5 7	1	KF 2 2 0 7 5 0		1 1	9
KC 2 7 1 9 4 0		5 1	7	KF 2 3 0 2 3 0		1 5	1 2
KC 2 7 1 9 5 0		5 1	6	KF 2 3 0 2 4 0		1 5	1 3
KC 2 7 1 9 6 0		5 1	3	KF 2 3 0 2 5 0		1 5	1 4
KC 3 1 2 8 9 0		2 7	2 9	KF 2 3 0 3 6 0		2 3	1 7
KC 3 1 2 9 1 1		2 7	2 1	KF 2 3 0 4 2 0		9	3 0
KC 3 1 2 9 2 1		2 7	3 1	KF 2 3 0 5 0 0		1 3	1 3
KC 3 2 0 5 9 0		2 7	2 6	KF 2 3 0 5 8 0		5 5	1 9
KC 3 3 0 1 6 1		2 3	9	KF 2 3 0 6 3 0		1 7	1 4
KC 3 3 0 1 7 0		2 3	3	KF 2 3 0 6 3 0		2 5	2
KC 3 3 0 1 8 0		2 3	7	KF 2 3 0 6 4 0		1 7	1 6

I N D E X

LIST	No.	PAGE No.	ITEM	LIST	No.	PAGE No.	ITEM
K F 2 3 0 6 4 0		5 1	3 1	K K 1 4 0 1 5 1		7	5
K F 2 3 0 6 5 0		1 7	1 5	K K 1 4 0 1 6 0		3	1 3
K F 2 3 0 6 6 1		1 7	1 9	K K 1 4 0 1 7 0		3	7
K F 2 3 0 6 7 0		1 7	2 0	K K 1 4 0 2 0 1		5	7
K F 2 3 0 9 1 0		1 5	1 0	K K 1 4 0 2 1 0		5	5
K F 2 3 0 9 3 0		1 5	1 1	K K 1 4 0 2 2 0		5	4
K F 2 4 0 9 0 0		4 9	2	K K 1 4 0 2 7 0		3	5
K F 2 5 0 9 0 0		1 1	2 1	K K 1 4 0 2 8 1		5	6
K F 3 3 0 3 8 1		1 5	2 7	K K 1 4 0 2 9 1		5	9
K F 3 3 0 3 8 1		1 7	1 7	K K 1 4 0 3 2 0		7	9
K F 5 3 0 1 1 1		4 3	1 5	K K 1 4 0 3 3 0		7	1 0
K F 5 3 0 1 1 1		4 5	1 3	K K 1 4 0 3 4 0		7	1 2
K F 5 3 0 1 1 1		4 7	1 4	K K 1 4 0 3 5 0		5	1 0
K F 5 3 0 1 2 0		4 3	1 5	K K 1 4 0 3 6 0		7	1 3
K F 5 3 0 1 2 0		4 5	1 3	K K 1 4 0 3 7 0		5	2 1
K F 5 3 0 1 2 0		4 7	1 4	K K 3 1 0 0 0 0		4 1	3
K F 5 3 0 1 5 1		4 3	1 7	K K 3 1 0 0 1 0		4 1	4
K F 5 3 0 1 5 1		4 5	1 5	K K 3 1 0 0 2 0		2 7	4 0
K F 5 3 0 1 5 1		4 7	1 6	K K 3 1 0 0 3 0		2 7	2
K F 5 3 0 1 6 0		4 3	1 3	K K 3 1 0 0 4 0		2 7	1 9
K F 5 3 0 1 6 0		4 5	1 1	K K 3 1 0 0 5 0		4 1	6
K F 5 3 0 1 6 0		4 7	1 2	K K 3 1 0 0 6 0		4 1	2
K F 5 3 0 1 7 1		4 3	2 3	K K 4 6 0 0 0 0		3 1	1 9
K F 5 3 0 1 7 1		4 5	1 9	K K 4 6 0 0 1 0		3 1	1 6
K F 5 3 0 1 7 1		4 7	8	K K 4 6 0 0 2 0		3 1	2 0
K F 7 1 0 3 0 0		4 9	5	K K 4 6 0 0 3 1		3 1	1 8
K F 7 1 0 3 9 0		4 9	1 2	K K 4 6 0 0 4 0		3 1	1 4
K G 2 3 0 6 1 0		2 5	1	K K 4 6 0 0 5 0		3 1	9
K G 2 7 0 3 1 0		5 5	1 5	K K 4 6 0 0 6 1		3 1	1 1
K G 3 3 0 2 2 0		2 3	1 4	K K 4 6 0 0 7 0		3 1	1 2
K G 7 1 0 1 6 1		4 9	6	K K 4 6 0 0 8 0		3 1	1 5
K K 1 4 0 0 0 0		3	8	K K 4 6 0 0 9 0		3 1	1 3
K K 1 4 0 0 1 0		7	2	K K 4 6 0 1 2 0		3 1	2 1
K K 1 4 0 0 2 0		3	1 1	K K 4 6 0 1 3 0		3 1	8
K K 1 4 0 0 3 0		7	4	K K 4 6 0 1 4 0		3 1	2 6
K K 1 4 0 0 5 0		5	2	K K 4 7 0 0 0 0		3 5	1 9
K K 1 4 0 0 6 1		3	1 2	K K 4 8 0 0 0 0		2 9	3
K K 1 4 0 0 7 0		7	1	K K 4 8 0 0 1 0		3 5	1
K K 1 4 0 0 8 0		7	1 4	K K 4 8 0 0 1 0		3 7	1
K K 1 4 0 1 0 1		3	1 0	K K 4 8 0 0 2 0		4 1	1
K K 1 4 0 1 1 1		5	3	K K 4 8 0 0 3 0		3 9	1
K K 1 4 0 1 2 0		5	1	K K 4 8 0 0 4 0		3 3	3
K K 1 4 0 1 3 0		3 5	2 2	K K 4 8 0 0 5 0		3 3	5
K K 1 4 0 1 3 0		3 7	2 2	K K 4 8 0 0 7 0		3 3	1
K K 1 4 0 1 4 1		7	3	K K 4 8 0 0 9 0		2 9	5

I N D E X

LIST	No.	PAGE No.	ITEM	LIST	No.	PAGE No.	ITEM
KK 4 8 0 1 0 0		2 9	4	KL 2 7 0 1 4 0		5 5	1 2
KK 4 8 0 1 1 0		3 9	1 5	KL 2 7 0 1 5 0		5 3	6
KK 4 8 0 1 2 0		3 3	7	KL 2 7 0 1 5 0		5 5	1 1
KK 4 8 0 1 3 1		3 3	4	KL 2 7 0 2 6 0		5 3	1 0
KK 4 8 0 1 4 0		3 3	2	KL 2 7 0 3 8 0		5 1	1 3
KK 4 8 0 1 4 0		3 5	1 3	KL 2 7 0 3 9 0		5 1	3 5
KK 4 8 0 1 4 0		3 7	1 3	KL 2 7 0 4 0 0		5 3	1 3
KK 4 8 0 1 6 1		3 3	6	KL 2 7 0 4 1 0		5 3	1 7
KL 2 1 0 1 1 3		1 1	6	KL 2 7 0 4 2 0		5 3	1 5
KL 2 1 0 1 4 0		9	1 7	KL 2 7 0 4 3 0		5 3	1 2
KL 2 2 0 0 0 0		9	1 6	KL 2 7 0 4 4 0		5 3	1 4
KL 2 2 0 0 1 0		9	2 4	KL 2 7 0 4 5 0		5 3	5
KL 2 2 0 0 2 0		9	2 9	KL 2 7 0 5 2 0		5 5	9
KL 2 2 0 0 3 0		9	1 5	KL 3 1 0 0 7 1		2 7	3 4
KL 2 2 0 0 4 0		9	6	KL 3 1 0 0 8 1		2 7	3 8
KL 2 2 0 0 5 0		9	2 1	KL 3 1 0 1 0 0		2 7	3 3
KL 2 2 0 0 6 0		1 1	2	KL 3 2 0 0 0 0		9	3 5
KL 2 2 0 0 7 0		1 1	1 2	KL 3 2 0 0 2 0		9	3 7
KL 2 2 0 0 8 0		9	1 2	KL 3 3 0 0 1 0		2 5	1 8
KL 2 2 0 0 9 0		9	4	KL 3 3 0 0 2 0		2 5	1 7
KL 2 2 0 1 0 0		9	1	KL 3 3 0 0 4 0		2 3	1 8
KL 2 2 0 1 2 0		1 1	2 0	KL 3 3 0 0 5 0		2 3	1 6
KL 2 2 0 1 3 0		9	1 4	KN 2 3 1 3 5 0		2 5	1 4
KL 2 2 0 1 4 0		9	2 0	KN 2 7 1 1 9 0		5 1	1 6
KL 2 2 0 1 4 0		1 1	3	KN 2 7 1 2 2 0		5 1	1 5
KL 2 2 0 1 5 0		9	8	KN 2 7 1 7 1 2		5 7	2 2
KL 2 3 0 2 8 0		1 7	1 3	KN 2 7 2 3 5 0		5 7	8
KL 2 5 0 0 4 0		9	7	KN 2 7 2 4 0 0		5 1	4
KL 2 5 0 0 5 1		9	2 6	KN 3 1 0 0 0 0		2 7	1 1
KL 2 5 0 0 7 1		1 1	5	KN 3 1 0 0 1 0		2 7	1 5
KL 2 7 0 0 0 0		5 5	1	KN 3 1 0 0 5 0		2 7	8
KL 2 7 0 0 1 0		5 5	6	KN 3 1 2 8 1 0		2 7	1 7
KL 2 7 0 0 2 0		5 5	5	KN 3 1 2 8 2 0		2 7	2 4
KL 2 7 0 0 3 0		5 5	7	KN 3 1 2 9 4 0		2 7	5
KL 2 7 0 0 4 0		5 5	2	KN 3 1 3 6 7 0		2 7	1 0
KL 2 7 0 0 5 0		5 5	3	KN 3 1 5 1 1 0		2 7	1 3
KL 2 7 0 0 6 0		5 5	4	KN 3 1 5 1 3 0		2 7	7
KL 2 7 0 0 7 0		5 5	1 0	KN 3 3 0 1 3 0		2 5	1 5
KL 2 7 0 0 8 1		5 3	2	KN 3 3 0 2 4 0		2 5	1 0
KL 2 7 0 0 9 1		5 3	4	KN 3 3 0 2 5 0		2 5	4
KL 2 7 0 1 0 1		5 3	8	KN 3 3 2 0 1 0		2 5	1 3
KL 2 7 0 1 1 0		5 3	3	KN 4 5 0 3 0 0		3 7	1 7
KL 2 7 0 1 2 0		5 3	9	KN 4 5 0 3 0 0		3 9	1 1
KL 2 7 0 1 3 0		5 3	1 6	KN 4 5 0 3 1 1		3 9	1 9
KL 2 7 0 1 4 0		5 3	7	KN 4 7 0 1 5 1		3 5	1 4

I N D E X

L I S T	No.	P A G E	No.	I T E M	L I S T	No.	P A G E	No.	I T E M
K N 4 7 0 1 6 1		4 1		1 3					
K N 4 8 0 0 6 1		3 5		7					
K N 4 8 0 0 6 1		3 7		7					
K N 4 8 0 0 6 1		3 9		3					
K N 4 8 0 0 6 1		4 1		1 9					
K N 4 8 2 0 0 0		3 5		2					
K N 4 8 2 0 0 0		3 7		2					
K N 4 8 2 0 0 0		3 9		6					
K N 4 8 2 0 0 0		4 1		2 1					
K N 4 8 2 0 1 0		3 5		8					
K N 4 8 2 0 1 0		3 7		8					
K N 4 8 3 4 2 0		3 9		2					
K N 4 8 3 4 2 0		4 1		2 0					
K N 4 8 3 4 5 0		3 9		4					
K N 4 8 3 4 5 0		4 1		1 8					
K N 4 9 0 1 2 1		4 1		9					
K N 4 9 0 1 3 0		4 1		7					
K N 4 9 0 1 4 0		4 1		5					
K N 4 9 0 1 5 0		4 1		1 4					
K N 5 1 1 0 2 0		2 7		2 8					
K N 5 4 0 5 1 0		5 9		8					
K R 1 4 0 0 1 0		3		4					
K R 1 4 0 0 4 0		3		6					
K R 4 8 0 3 3 0		2 9		7					
K T 2 3 0 0 0 0		1 3		1 9					
K T 2 3 0 0 1 0		1 3		1 7					
K T 2 3 0 0 3 0		1 3		1 0					
K T 2 3 0 0 4 0		1 3		1 6					
K T 2 3 0 0 5 0		1 3		3 6					
K T 3 3 0 0 0 0		2 3		1 2					
K U 4 6 0 2 7 0		3 7		1 8					
K U 4 6 0 2 7 0		3 9		1 3					
K U 4 6 0 3 4 2		3 7		2 4					
M A 2 5 0 1 3 1		1 1		1 4					
M T 4 6 0 2 4 0		3 7		1 4					
M T 4 6 0 2 4 0		3 9		2 5					
M T 7 1 0 0 0 0		4 9		9					
W W 3 1 0 2 1 0		2 7		2 3					

